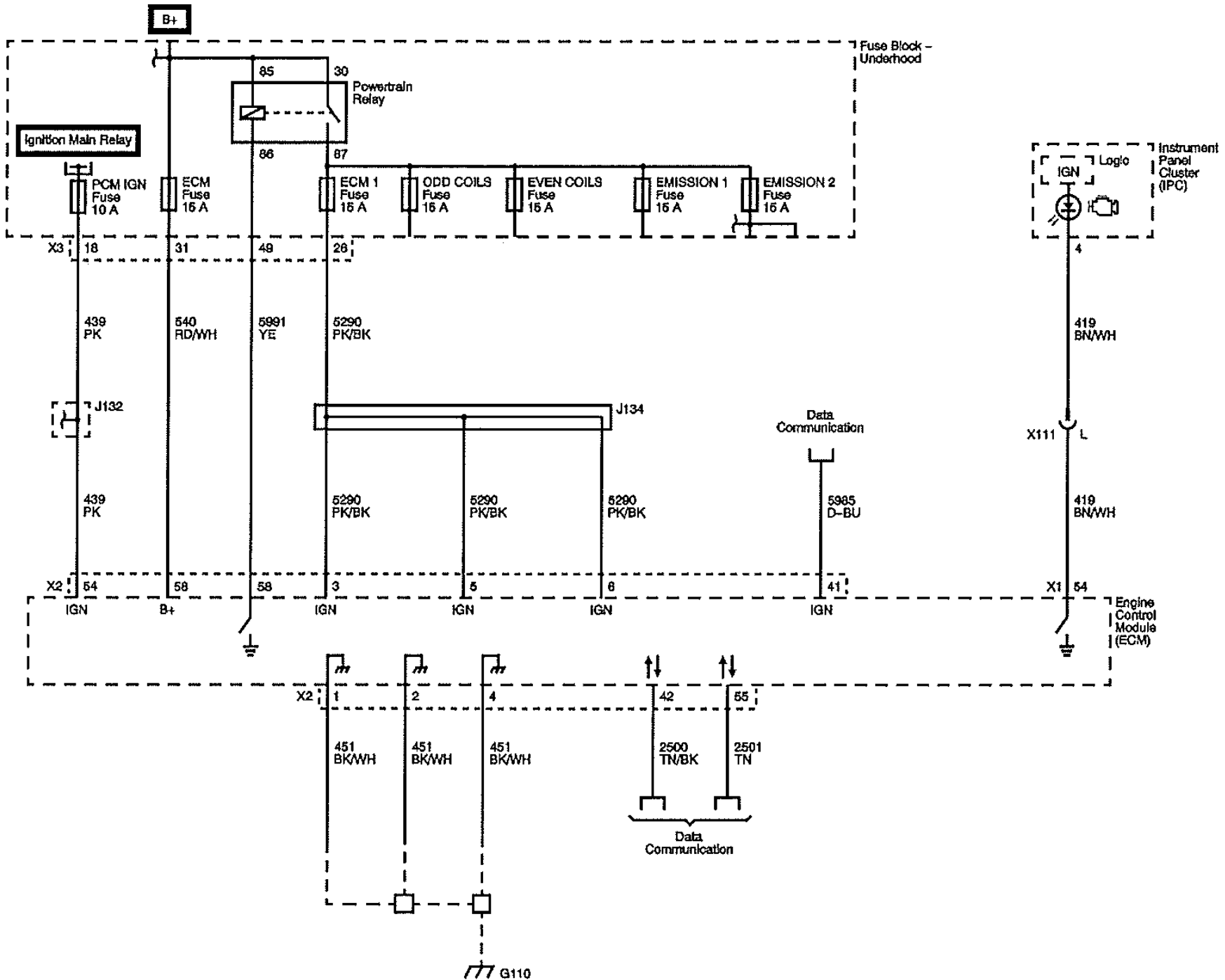
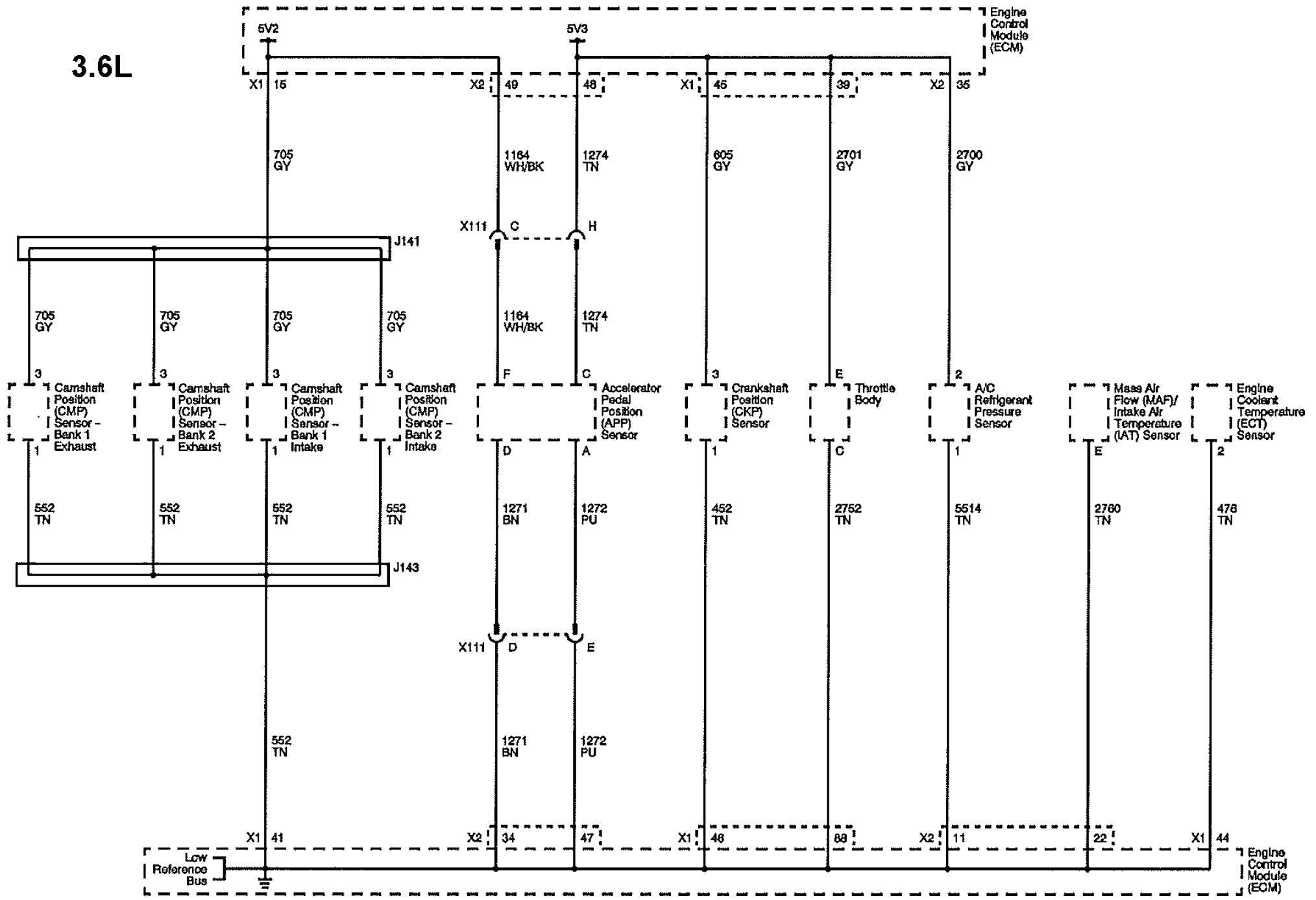


# 3.6L



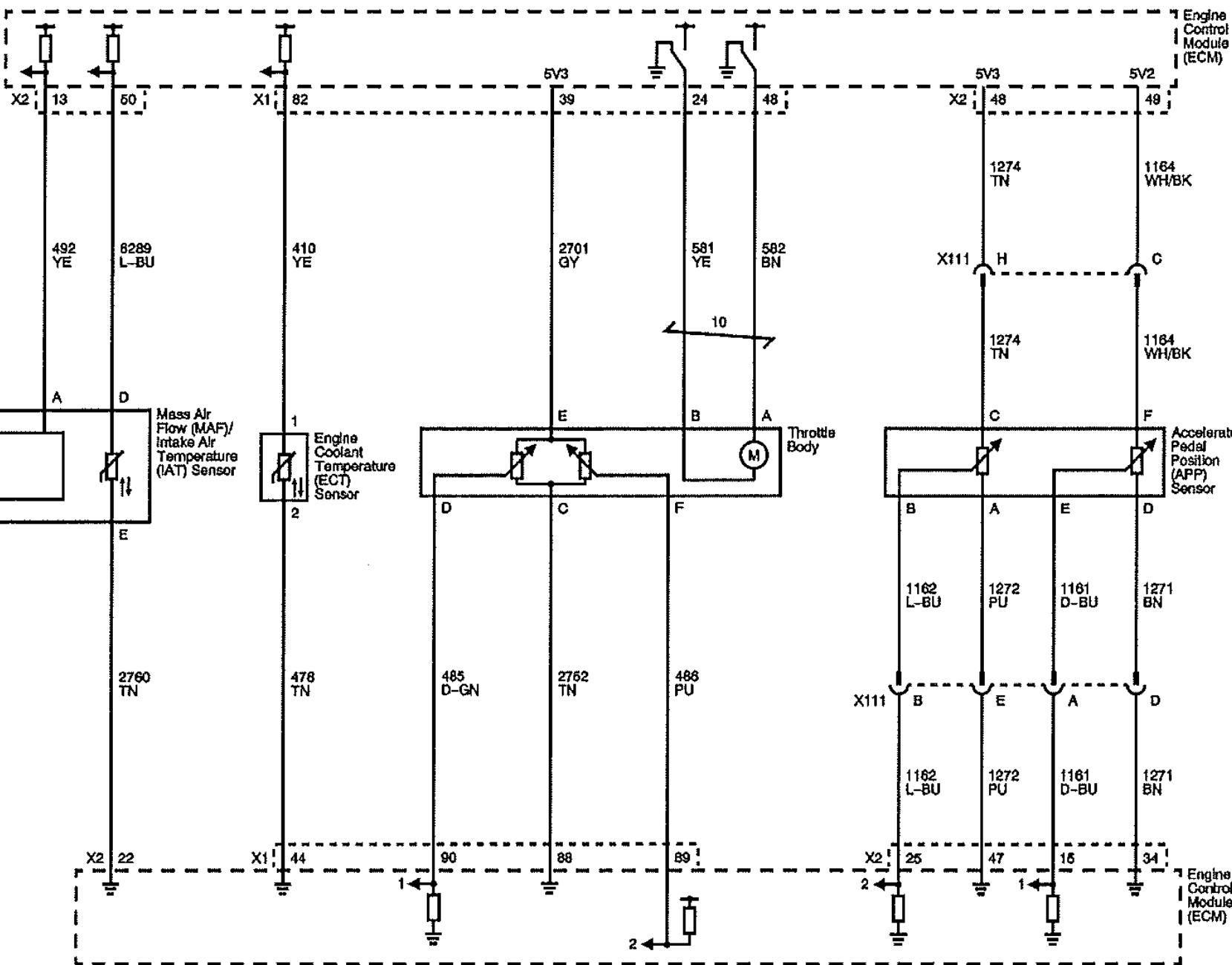
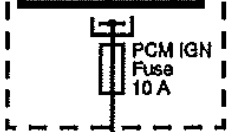


# 3.6L

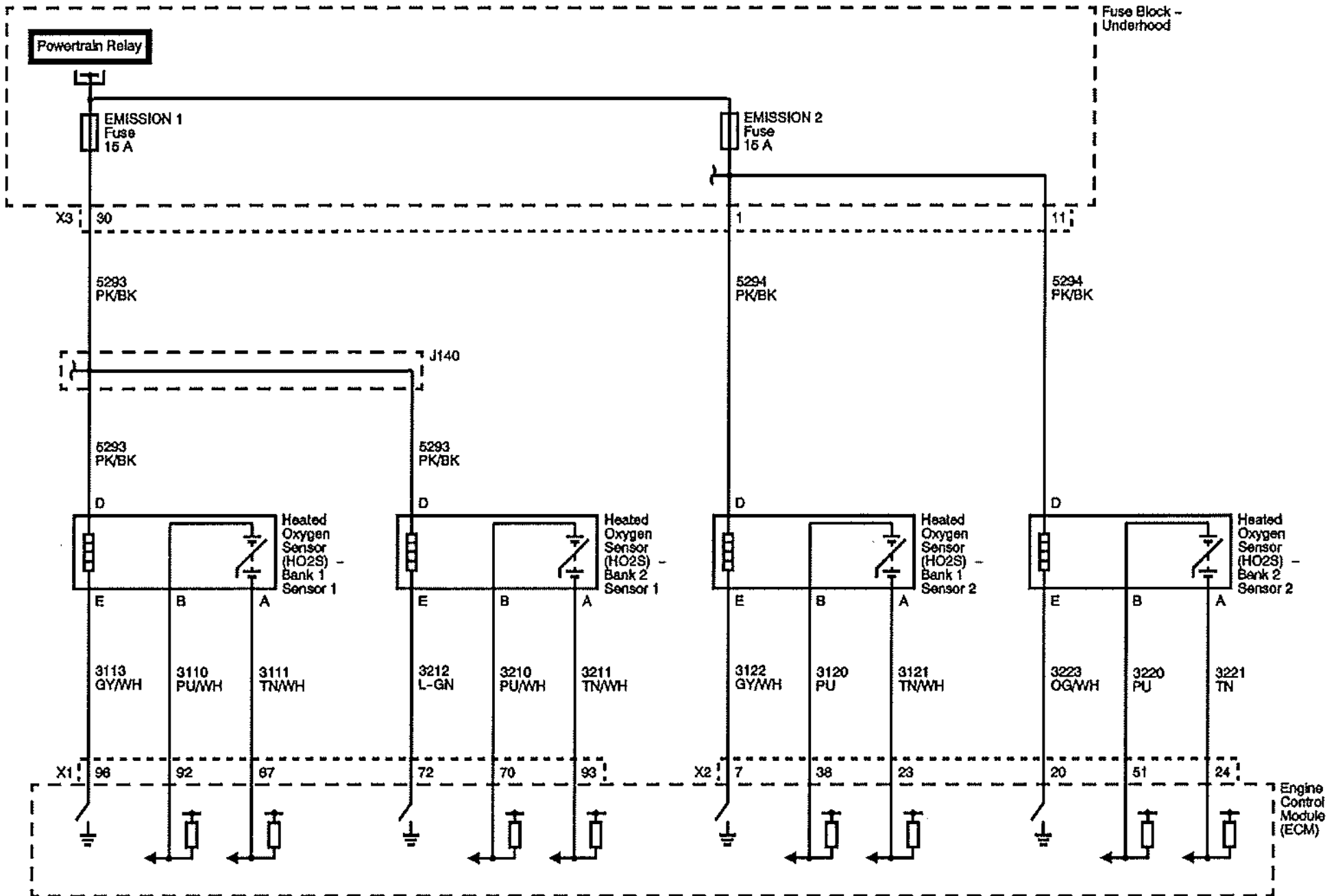


# 3.6L

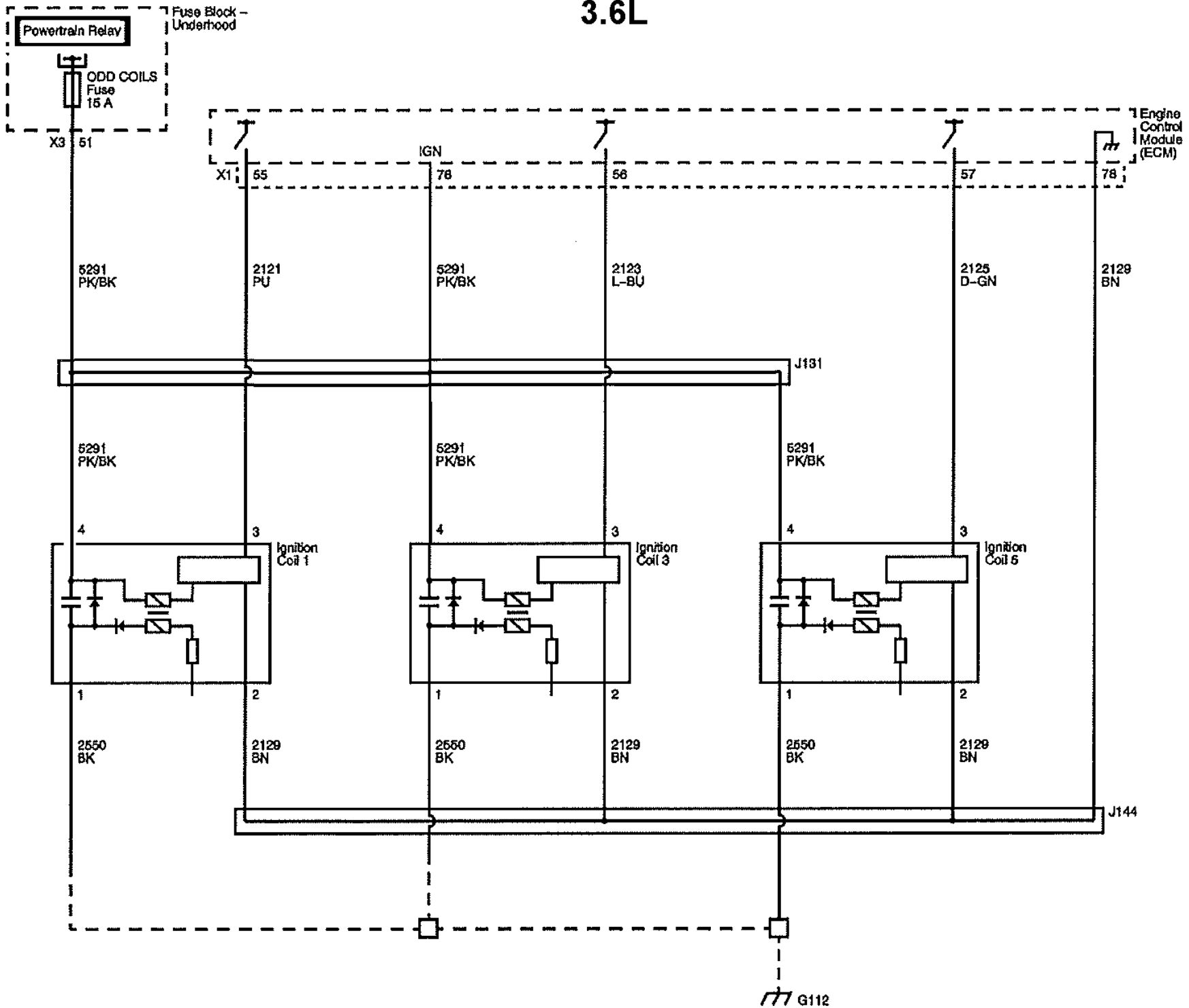
Ignition Main Relay  
Fuse Block - Underhood



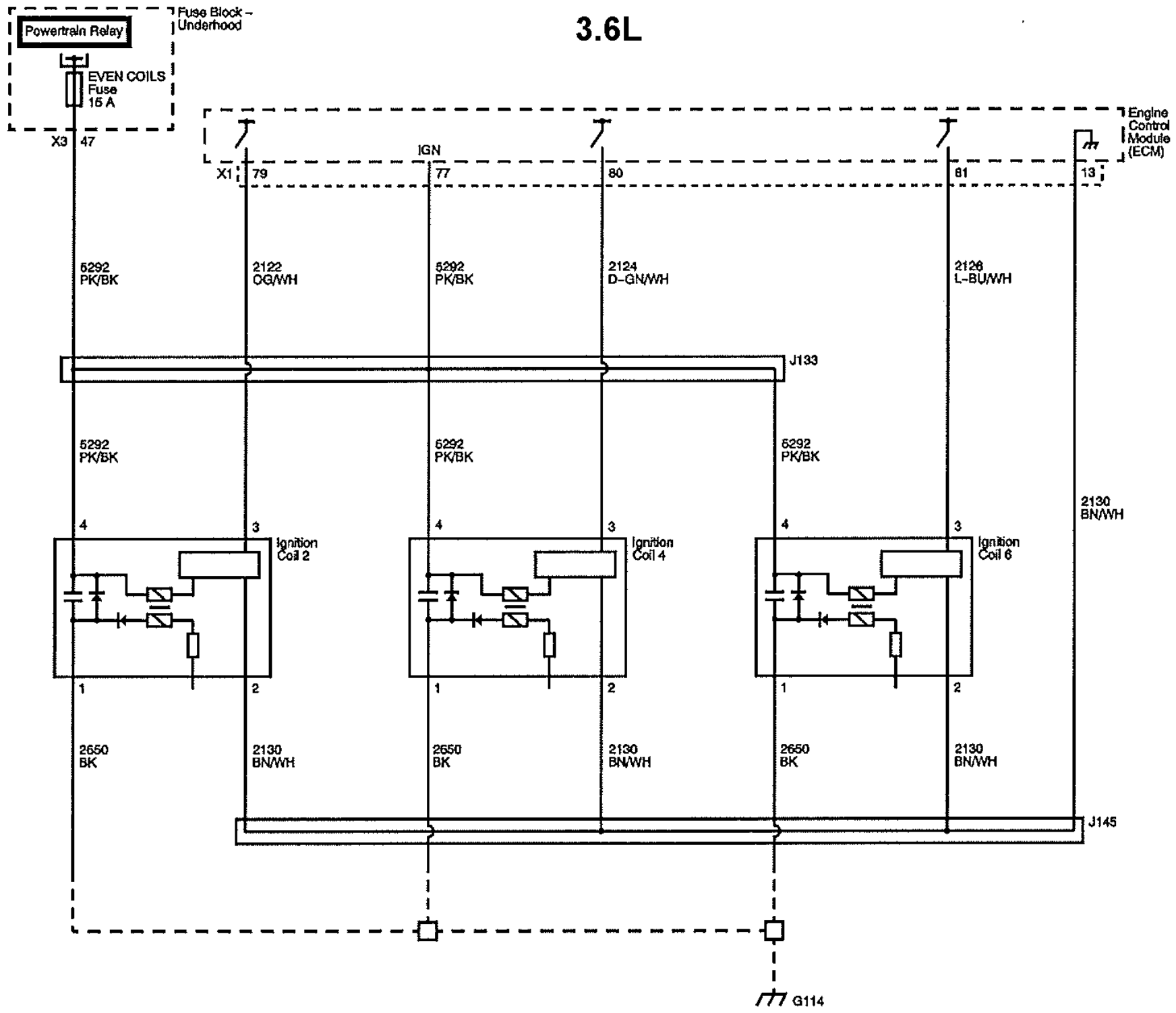
# 3.6L

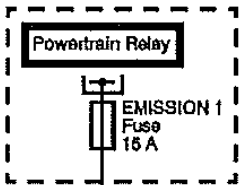


# 3.6L

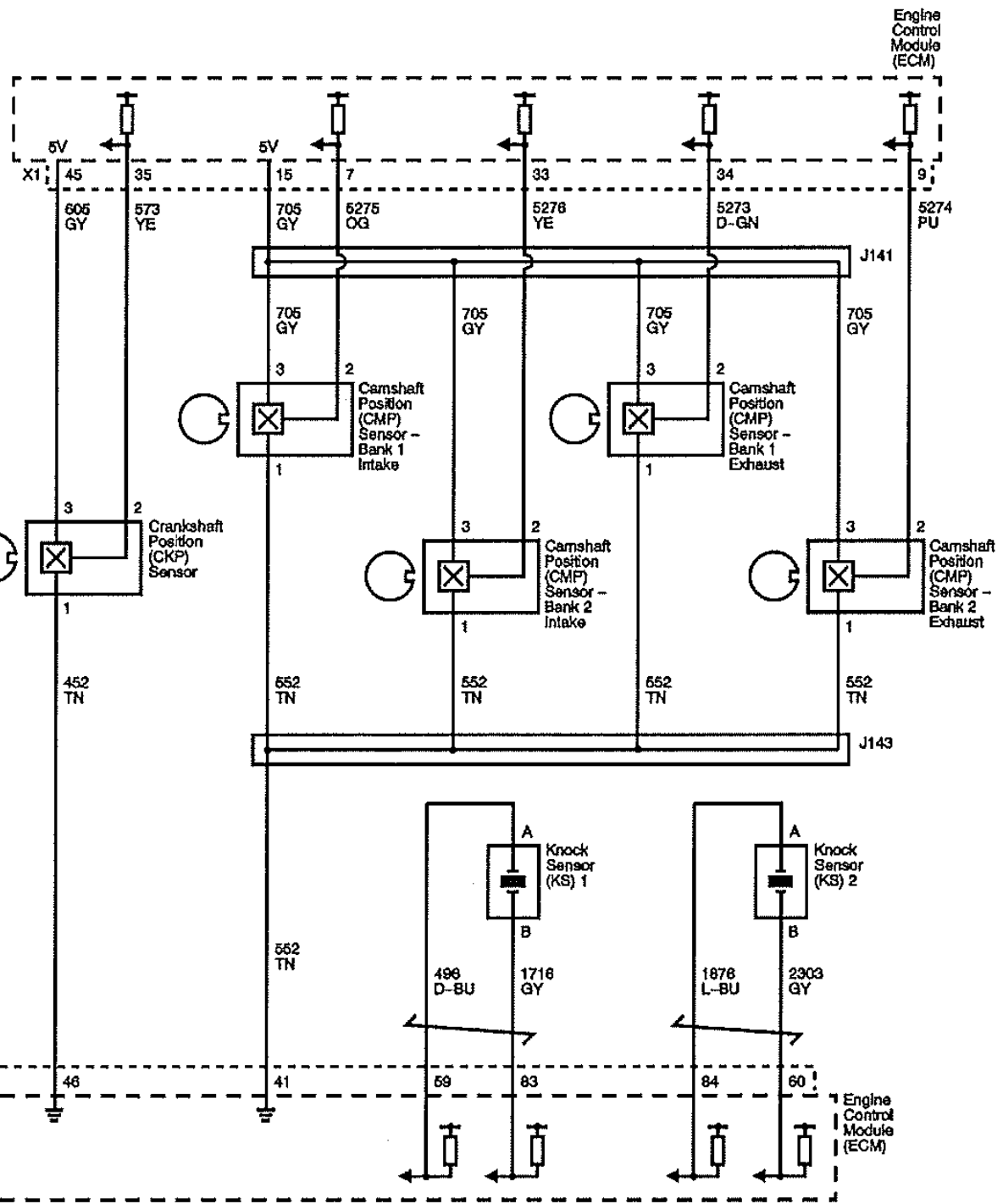
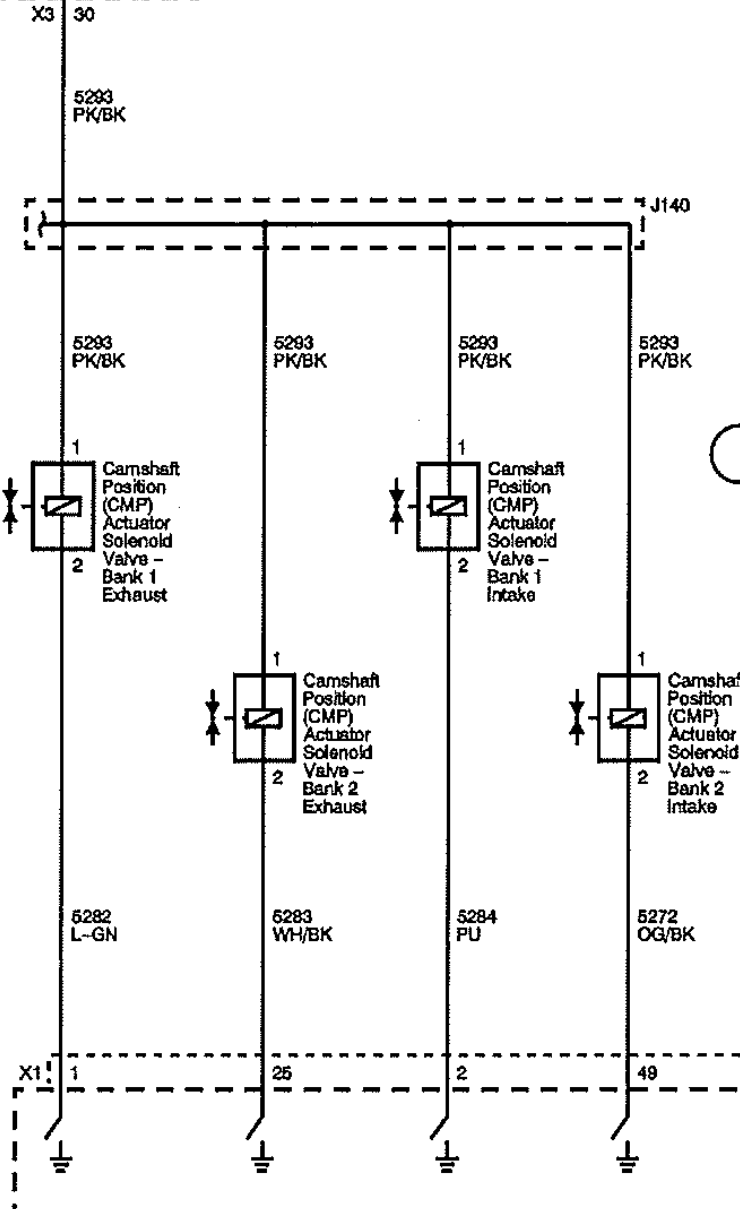


# 3.6L



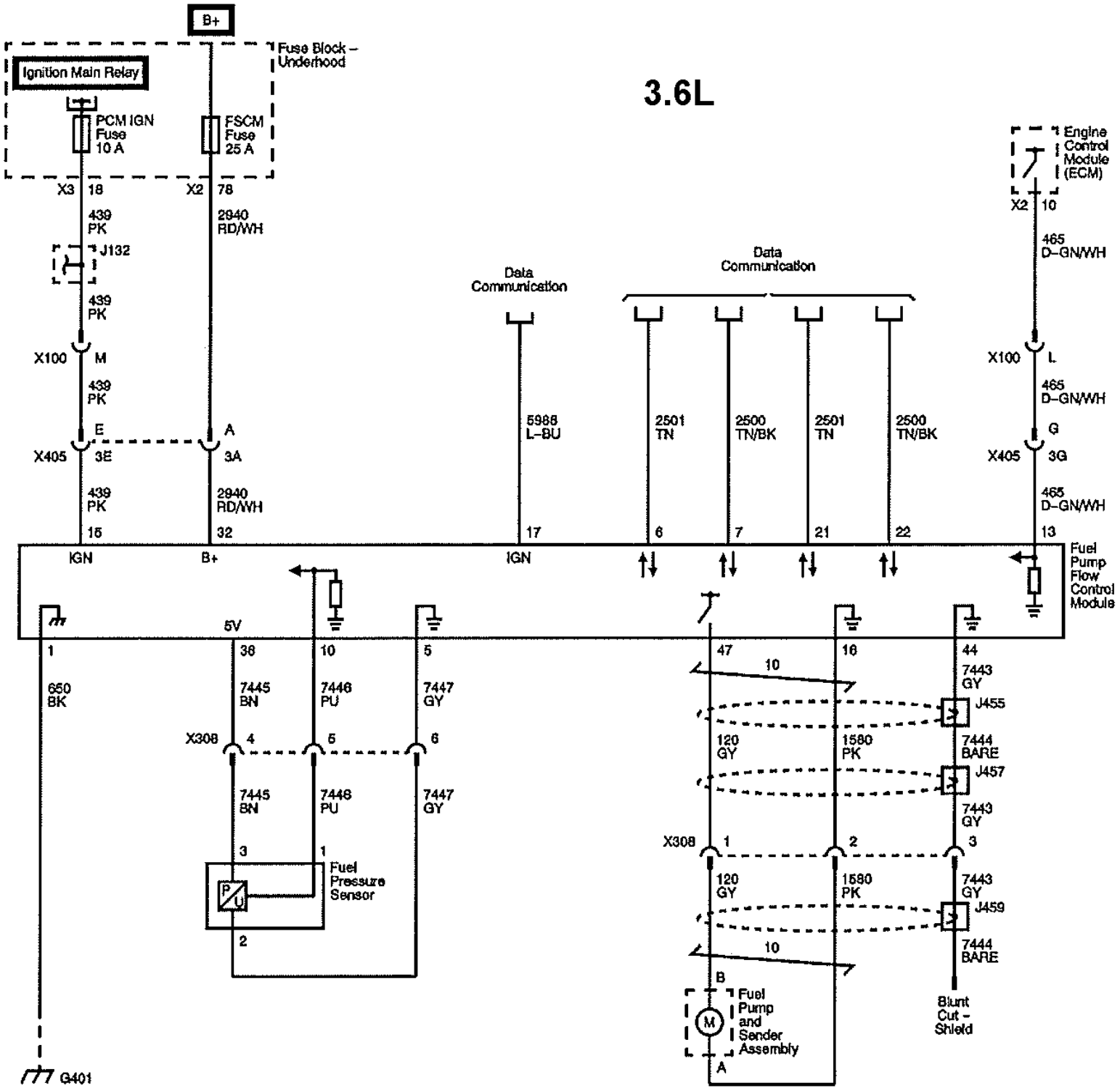


# 3.6L

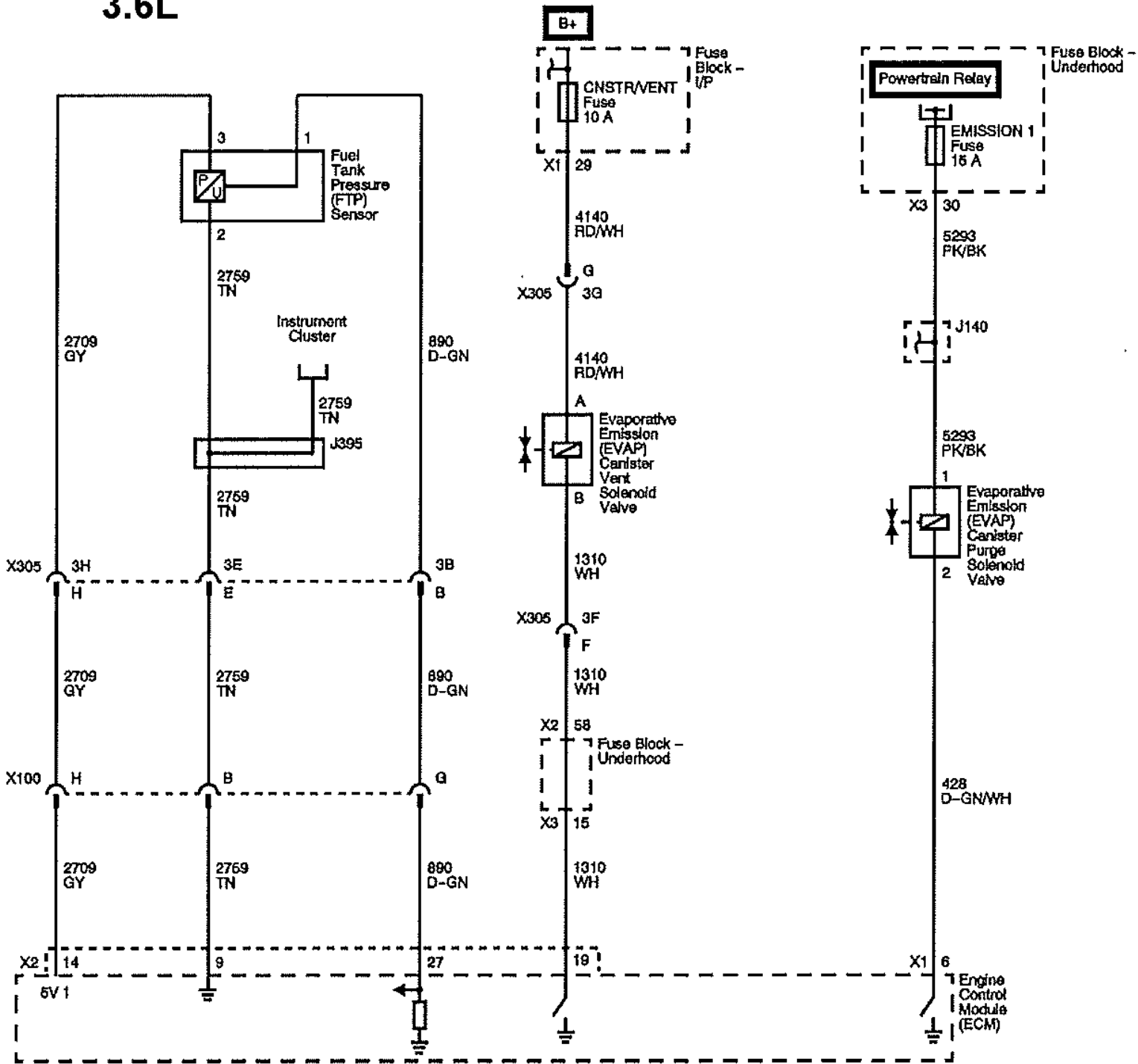




# 3.6L



# 3.6L



# 3.6L

