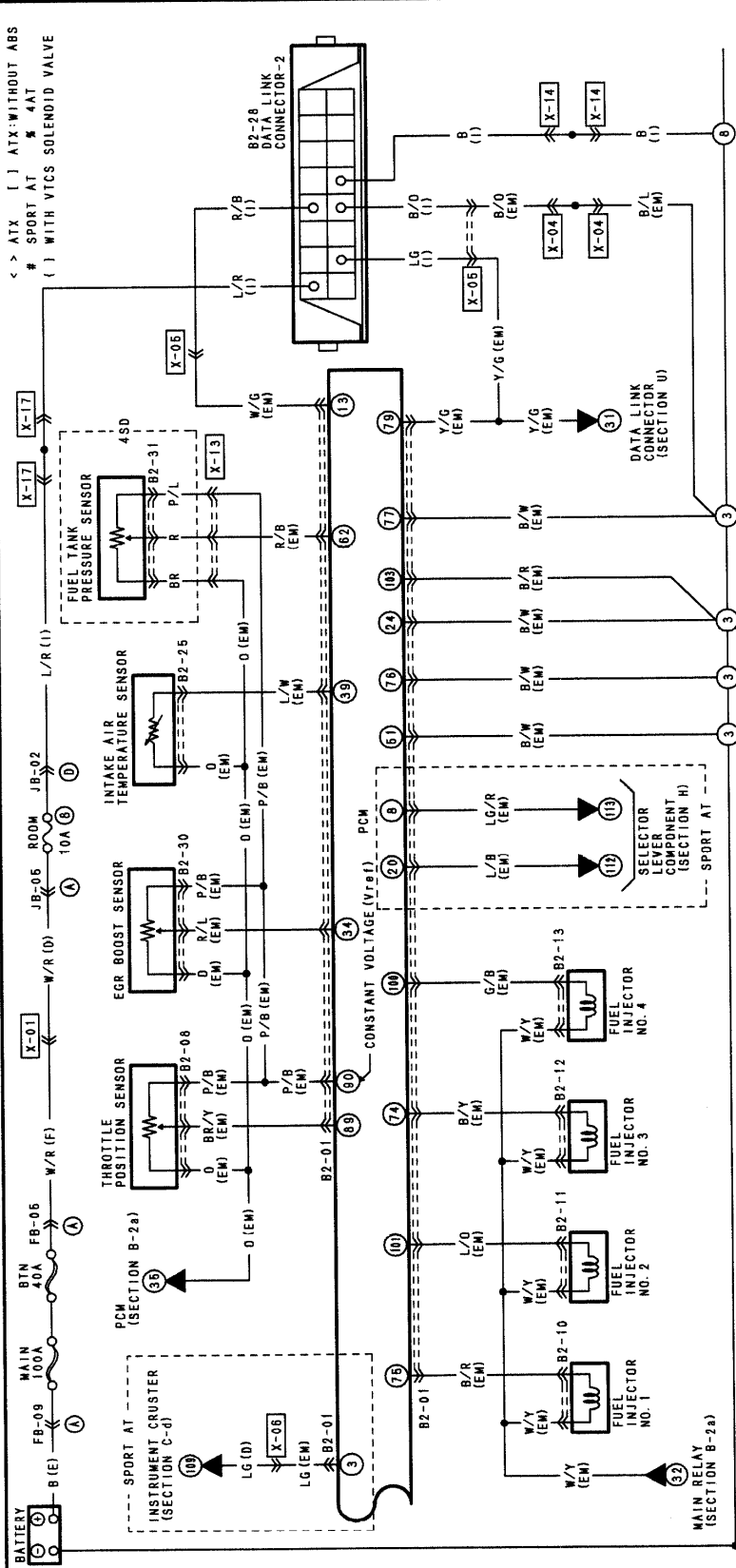


B-2e

EC-AT CONTROL SYSTEM (FS) / ENGINE CONTROL SYSTEM (FS)



Terminal No.	Wire Color	Component
24	B/W	FUEL INJECTOR NO. 1
25	B/W	FUEL INJECTOR NO. 2
26	B/W	FUEL INJECTOR NO. 3
27	B/W	FUEL INJECTOR NO. 4
28	R	SPORT AT
29	B/W	SPORT AT
30	B/W	SPORT AT
31	B/W	SPORT AT
32	B/W	SPORT AT
33	B/W	SPORT AT
34	B/W	SPORT AT
35	B/W	SPORT AT
36	B/W	SPORT AT
37	B/W	SPORT AT
38	B/W	SPORT AT
39	B/W	SPORT AT
40	B/W	SPORT AT
41	B/W	SPORT AT
42	B/W	SPORT AT
43	B/W	SPORT AT
44	B/W	SPORT AT
45	B/W	SPORT AT
46	B/W	SPORT AT
47	B/W	SPORT AT
48	B/W	SPORT AT
49	B/W	SPORT AT
50	B/W	SPORT AT
51	B/W	SPORT AT
52	B/W	SPORT AT
53	B/W	SPORT AT
54	B/W	SPORT AT
55	B/W	SPORT AT
56	B/W	SPORT AT
57	B/W	SPORT AT
58	B/W	SPORT AT
59	B/W	SPORT AT
60	B/W	SPORT AT
61	B/W	SPORT AT
62	B/W	SPORT AT
63	B/W	SPORT AT
64	B/W	SPORT AT
65	B/W	SPORT AT
66	B/W	SPORT AT
67	B/W	SPORT AT
68	B/W	SPORT AT
69	B/W	SPORT AT
70	B/W	SPORT AT
71	B/W	SPORT AT
72	B/W	SPORT AT
73	B/W	SPORT AT
74	B/W	SPORT AT
75	B/W	SPORT AT
76	B/W	SPORT AT
77	B/W	SPORT AT
78	B/W	SPORT AT
79	B/W	SPORT AT
80	B/W	SPORT AT
81	B/W	SPORT AT
82	B/W	SPORT AT
83	B/W	SPORT AT
84	B/W	SPORT AT
85	B/W	SPORT AT
86	B/W	SPORT AT
87	B/W	SPORT AT
88	B/W	SPORT AT
89	B/W	SPORT AT
90	B/W	SPORT AT
91	B/W	SPORT AT
92	B/W	SPORT AT
93	B/W	SPORT AT
94	B/W	SPORT AT
95	B/W	SPORT AT
96	B/W	SPORT AT
97	B/W	SPORT AT
98	B/W	SPORT AT
99	B/W	SPORT AT
100	B/W	SPORT AT

NOTE: THIS IS THE CONNECTOR AS SEEN FROM THE TERMINAL SIDE.