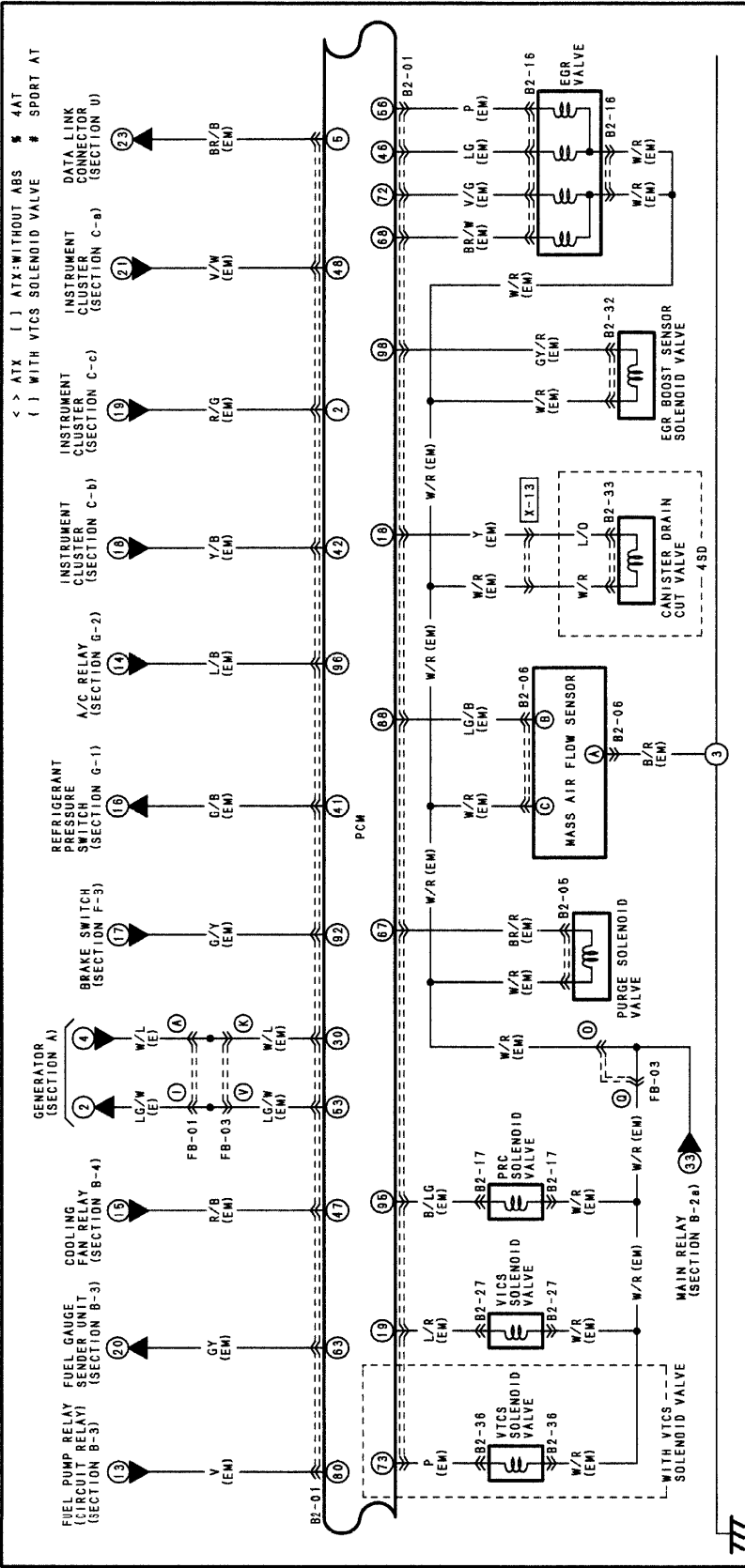


B-2b

EC-AT CONTROL SYSTEM (FS) / ENGINE CONTROL SYSTEM (FS)



Terminal	Wiring	Component
24	BR/W/R	EGR VALVE (EM)
25	BR/W/R	EGR VALVE (EM)
26	BR/W/R	EGR VALVE (EM)
27	BR/W/R	EGR VALVE (EM)
28	BR/W/R	EGR VALVE (EM)
29	BR/W/R	EGR VALVE (EM)
30	BR/W/R	EGR VALVE (EM)
31	BR/W/R	EGR VALVE (EM)
32	BR/W/R	EGR VALVE (EM)
33	BR/W/R	EGR VALVE (EM)
34	BR/W/R	EGR VALVE (EM)
35	BR/W/R	EGR VALVE (EM)
36	BR/W/R	EGR VALVE (EM)
37	BR/W/R	EGR VALVE (EM)
38	BR/W/R	EGR VALVE (EM)
39	BR/W/R	EGR VALVE (EM)
40	BR/W/R	EGR VALVE (EM)
41	BR/W/R	EGR VALVE (EM)
42	BR/W/R	EGR VALVE (EM)
43	BR/W/R	EGR VALVE (EM)
44	BR/W/R	EGR VALVE (EM)
45	BR/W/R	EGR VALVE (EM)
46	BR/W/R	EGR VALVE (EM)
47	BR/W/R	EGR VALVE (EM)
48	BR/W/R	EGR VALVE (EM)
49	BR/W/R	EGR VALVE (EM)
50	BR/W/R	EGR VALVE (EM)
51	BR/W/R	EGR VALVE (EM)
52	BR/W/R	EGR VALVE (EM)
53	BR/W/R	EGR VALVE (EM)
54	BR/W/R	EGR VALVE (EM)
55	BR/W/R	EGR VALVE (EM)
56	BR/W/R	EGR VALVE (EM)
57	BR/W/R	EGR VALVE (EM)
58	BR/W/R	EGR VALVE (EM)
59	BR/W/R	EGR VALVE (EM)
60	BR/W/R	EGR VALVE (EM)
61	BR/W/R	EGR VALVE (EM)
62	BR/W/R	EGR VALVE (EM)
63	BR/W/R	EGR VALVE (EM)
64	BR/W/R	EGR VALVE (EM)
65	BR/W/R	EGR VALVE (EM)
66	BR/W/R	EGR VALVE (EM)
67	BR/W/R	EGR VALVE (EM)
68	BR/W/R	EGR VALVE (EM)
69	BR/W/R	EGR VALVE (EM)
70	BR/W/R	EGR VALVE (EM)
71	BR/W/R	EGR VALVE (EM)
72	BR/W/R	EGR VALVE (EM)
73	BR/W/R	EGR VALVE (EM)
74	BR/W/R	EGR VALVE (EM)
75	BR/W/R	EGR VALVE (EM)
76	BR/W/R	EGR VALVE (EM)
77	BR/W/R	EGR VALVE (EM)
78	BR/W/R	EGR VALVE (EM)
79	BR/W/R	EGR VALVE (EM)
80	BR/W/R	EGR VALVE (EM)
81	BR/W/R	EGR VALVE (EM)
82	BR/W/R	EGR VALVE (EM)
83	BR/W/R	EGR VALVE (EM)
84	BR/W/R	EGR VALVE (EM)
85	BR/W/R	EGR VALVE (EM)
86	BR/W/R	EGR VALVE (EM)
87	BR/W/R	EGR VALVE (EM)
88	BR/W/R	EGR VALVE (EM)
89	BR/W/R	EGR VALVE (EM)
90	BR/W/R	EGR VALVE (EM)
91	BR/W/R	EGR VALVE (EM)
92	BR/W/R	EGR VALVE (EM)
93	BR/W/R	EGR VALVE (EM)
94	BR/W/R	EGR VALVE (EM)
95	BR/W/R	EGR VALVE (EM)
96	BR/W/R	EGR VALVE (EM)
97	BR/W/R	EGR VALVE (EM)
98	BR/W/R	EGR VALVE (EM)
99	BR/W/R	EGR VALVE (EM)
100	BR/W/R	EGR VALVE (EM)