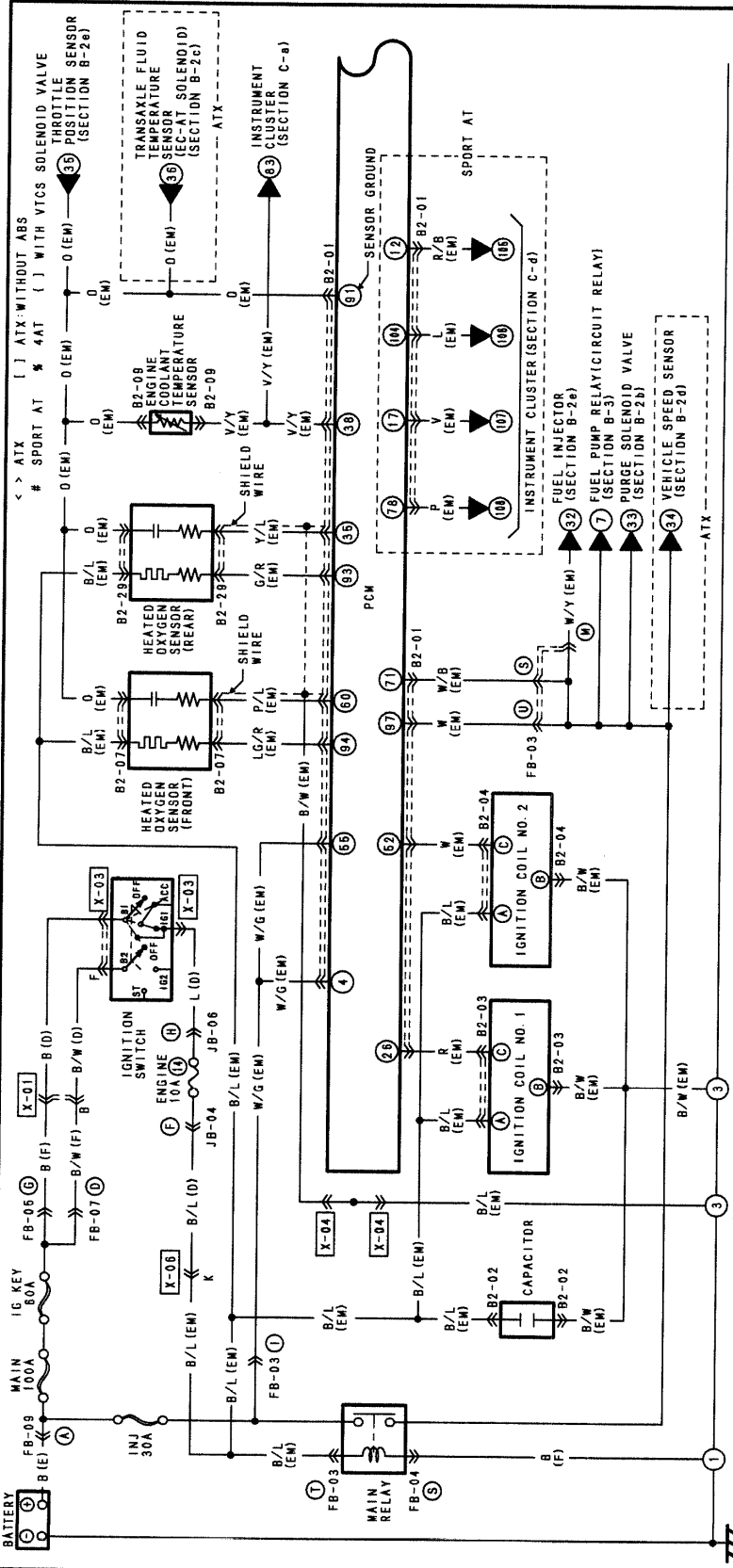


# B-2a

## EC-AT CONTROL SYSTEM (FS) / ENGINE CONTROL SYSTEM (FS)



BATTERY		MAIN RELAY (FB-03)		IGNITION SWITCH (X-03)		ENGINE (E)		HEATED OXYGEN SENSOR (FRONT) (B2-07)		HEATED OXYGEN SENSOR (REAR) (B2-29)		ENGINE TEMPERATURE SENSOR (B2-09)		THROTTLE POSITION SENSOR (B-2e)		INSTRUMENT CLUSTER (SECTION C-a)		FUEL INJECTOR (B2-01)		FUEL PUMP RELAY (SECTION B-3)		PURGE SOLENOID VALVE (SECTION B-2b)		VEHICLE SPEED SENSOR (SECTION B-2d)																																																				
24	25	26	27	28	29	30	31	32	33	34	35	36	37	38	39	40	41	42	43	44	45	46	47	48	49	50	51	52	53	54	55	56	57	58	59	60	61	62	63	64	65	66	67	68	69	70	71	72	73	74	75	76	77	78	79	80	81	82	83	84	85	86	87	88	89	90	91	92	93	94	95	96	97	98	99	100

