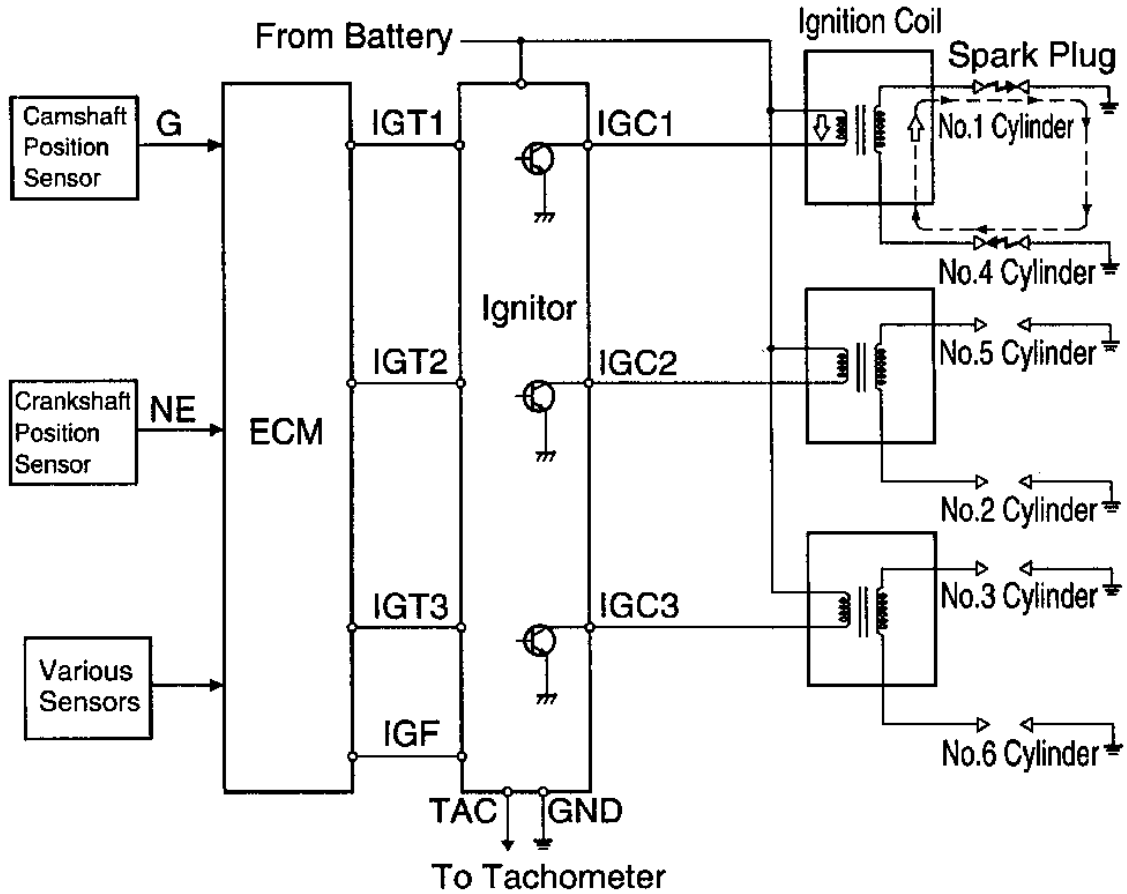


Printer-Ready Version (Use Browser Print Button) - [Click Here](#) for Full-Size Version

**Fig. 30: Distributorless Ignition System Schematic (Tacoma 3.4L V6 & Tundra 3.4L V6)
TOYOTA, LICENSE AGREEMENT TMS1002**



G95I31318

Copyright 2019 Mitchell Repair Information Company, LLC. All Rights Reserved.