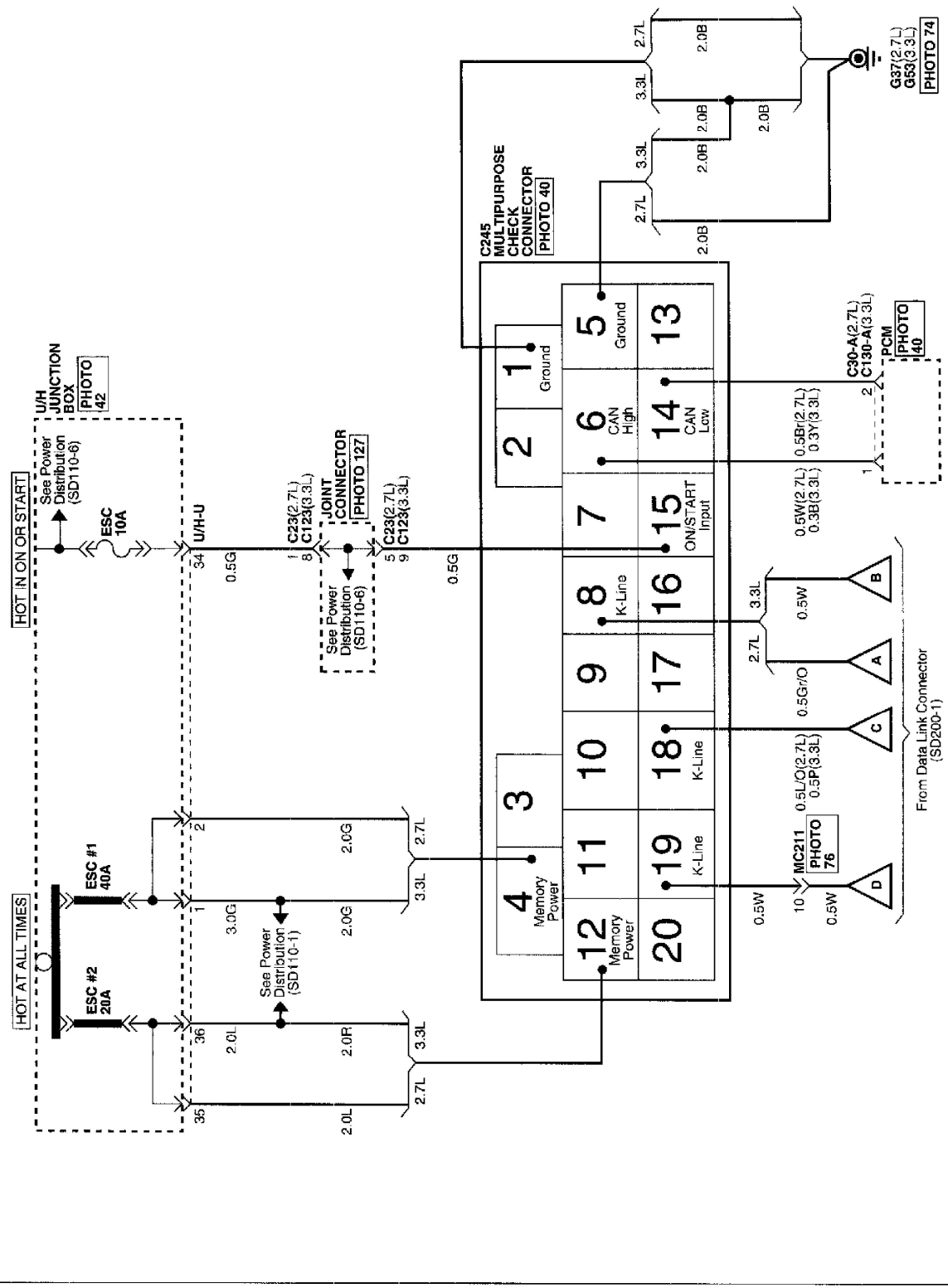


SD200-3

DATA LINK DETAILS (3)



ECMSD7200CN

Data Link Details (3)