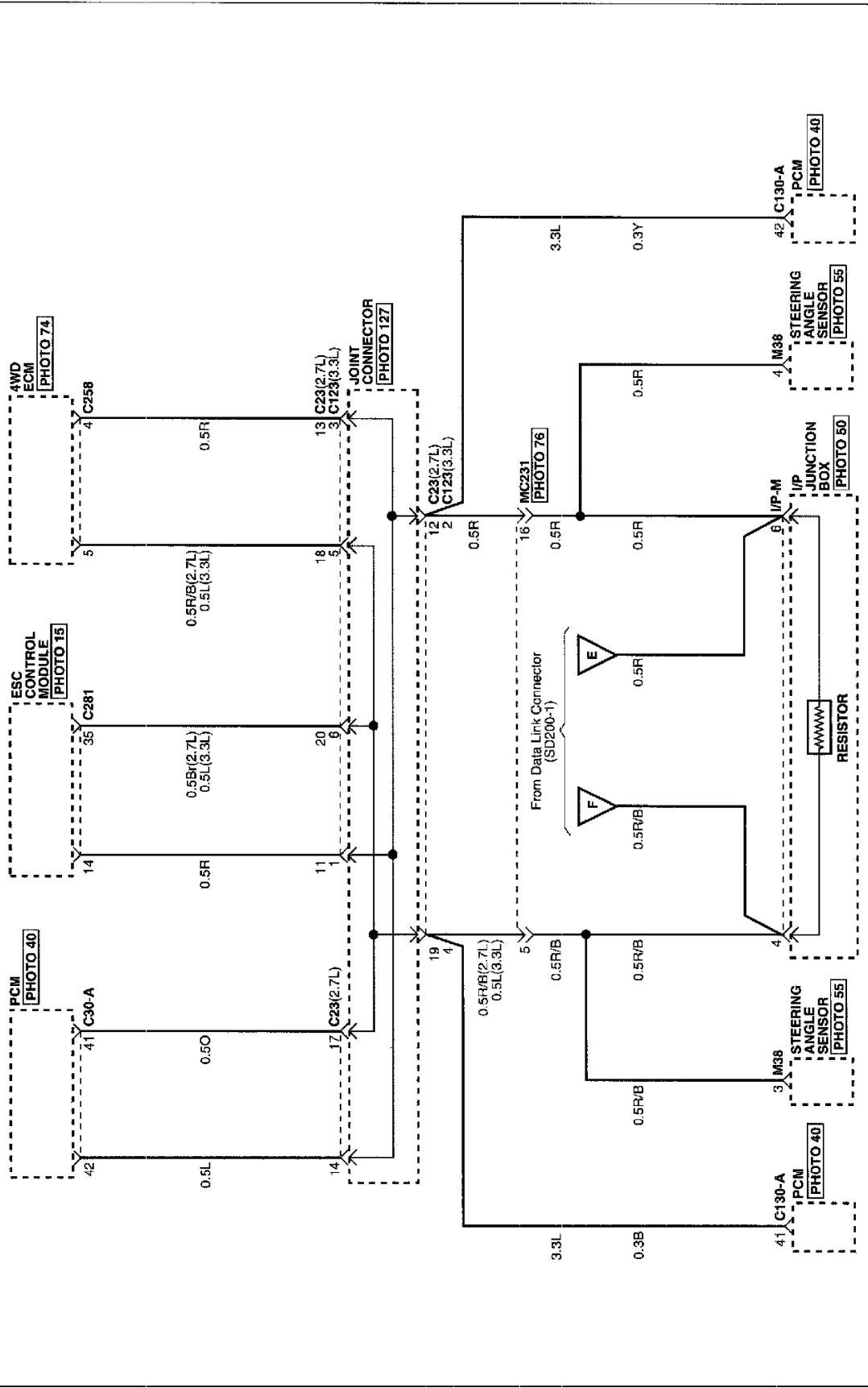


SD200-2

DATA LINK DETAILS (2)



ECMSD7200BN

Data Link Details (2)