

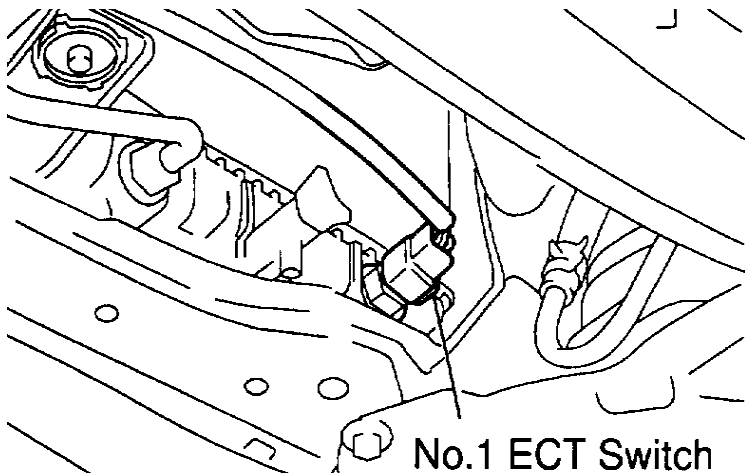
2002 Toyota Avalon XL V6-3.0L (1MZ-FE)

Vehicle > Sensors and Switches > Sensors and Switches - Cooling System > Engine - Coolant Temperature Sensor/Switch > Radiator Cooling Fan Temperature Sensor / Switch > Testing and Inspection

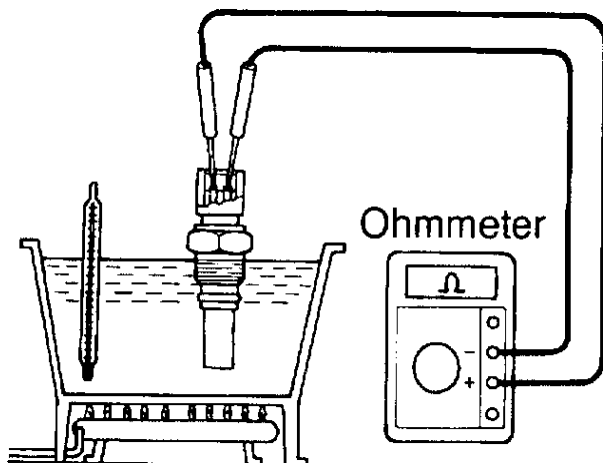
## COMPONENT TESTS AND GENERAL DIAGNOSTICS

### INSPECTION

1. DRAIN ENGINE COOLANT
2. INSPECT NO. 1 ECT SWITCH



- a. Remove the NO. 1 ECT switch.

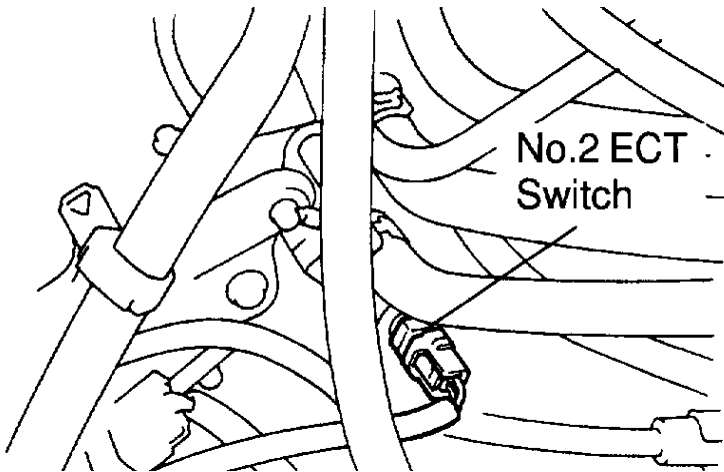


- b. Inspect the NO. 1 ECT switch.
  1. Using an ohmmeter, check that there is continuity between the terminals when the coolant temperature is **above 98°C (208°F)**. If there is no continuity, replace the switch.
  2. Check that there is no continuity, between the terminals when the coolant temperature is **below 88°C**

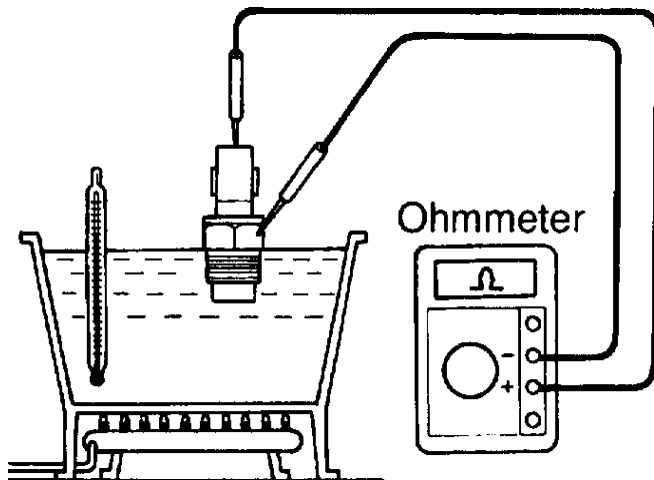
(190°F). If there is continuity, replace the switch.

c. Reinstall the NO. 1 ECT switch.

### 3. INSPECT NO. 2 ECT SWITCH



a. Remove the NO. 2 ECT switch.



b. Inspect the NO. 2 ECT switch.

1. Using an ohmmeter, check that there is continuity between terminals when the coolant temperature is **above 93°C (199°F)**. If there is no continuity, replace the switch.

2. Check that there is no continuity between the terminals when the coolant temperature is **below 83°C (181°F)**. If there is continuity, replace the switch.

c. Reinstall the NO. 2 ECT switch.

### 4. REFILL ENGINE COOLANT

### 5. START ENGINE AND CHECK FOR COOLANT LEAKS