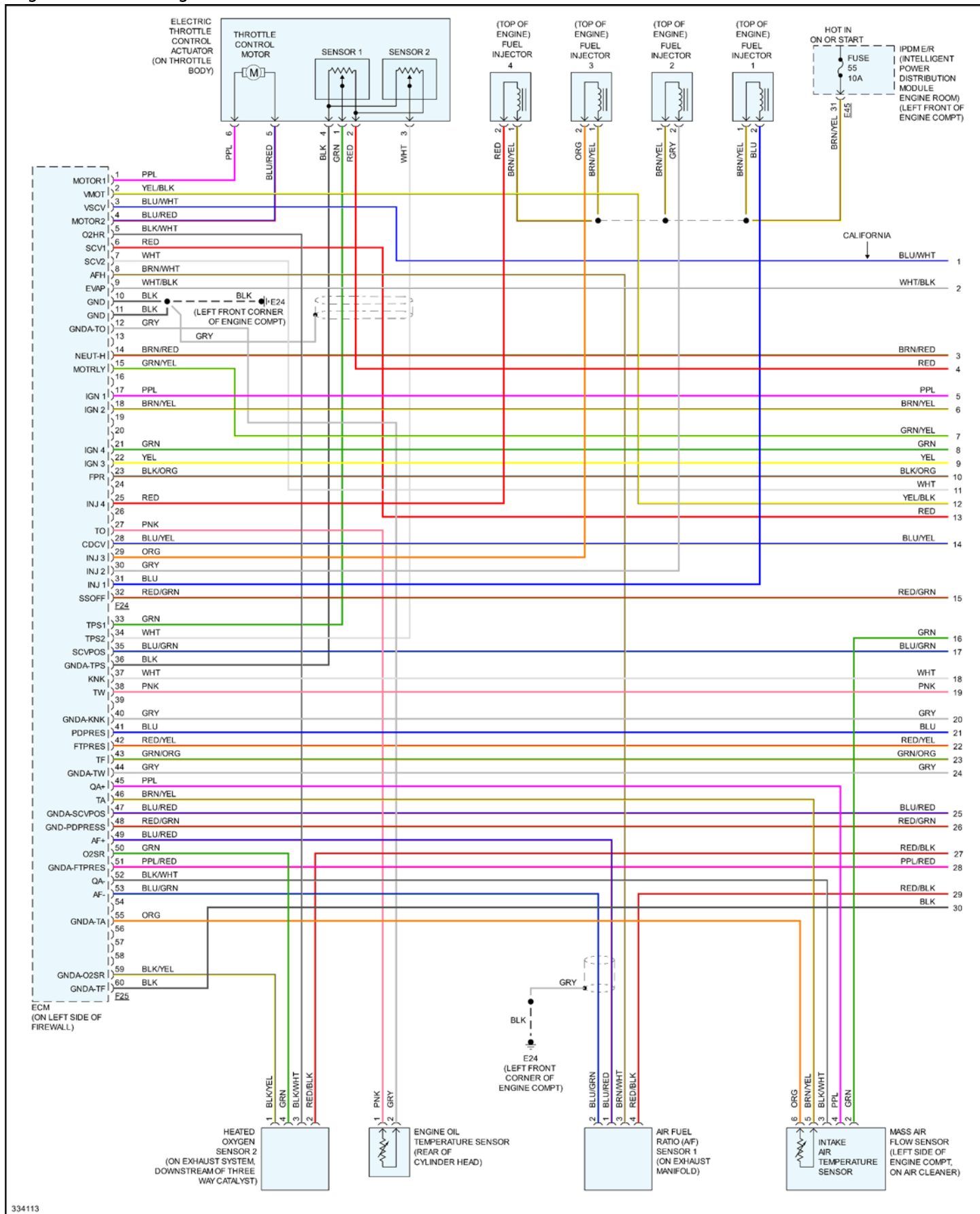


### 2010 Nissan-Datsun Sentra L4-2.0L (MR20DE)

### Vehicle > Powertrain Management > Diagrams > Electrical - Interactive Color (Non OE)

### Engine Controls - Page 1 of 5

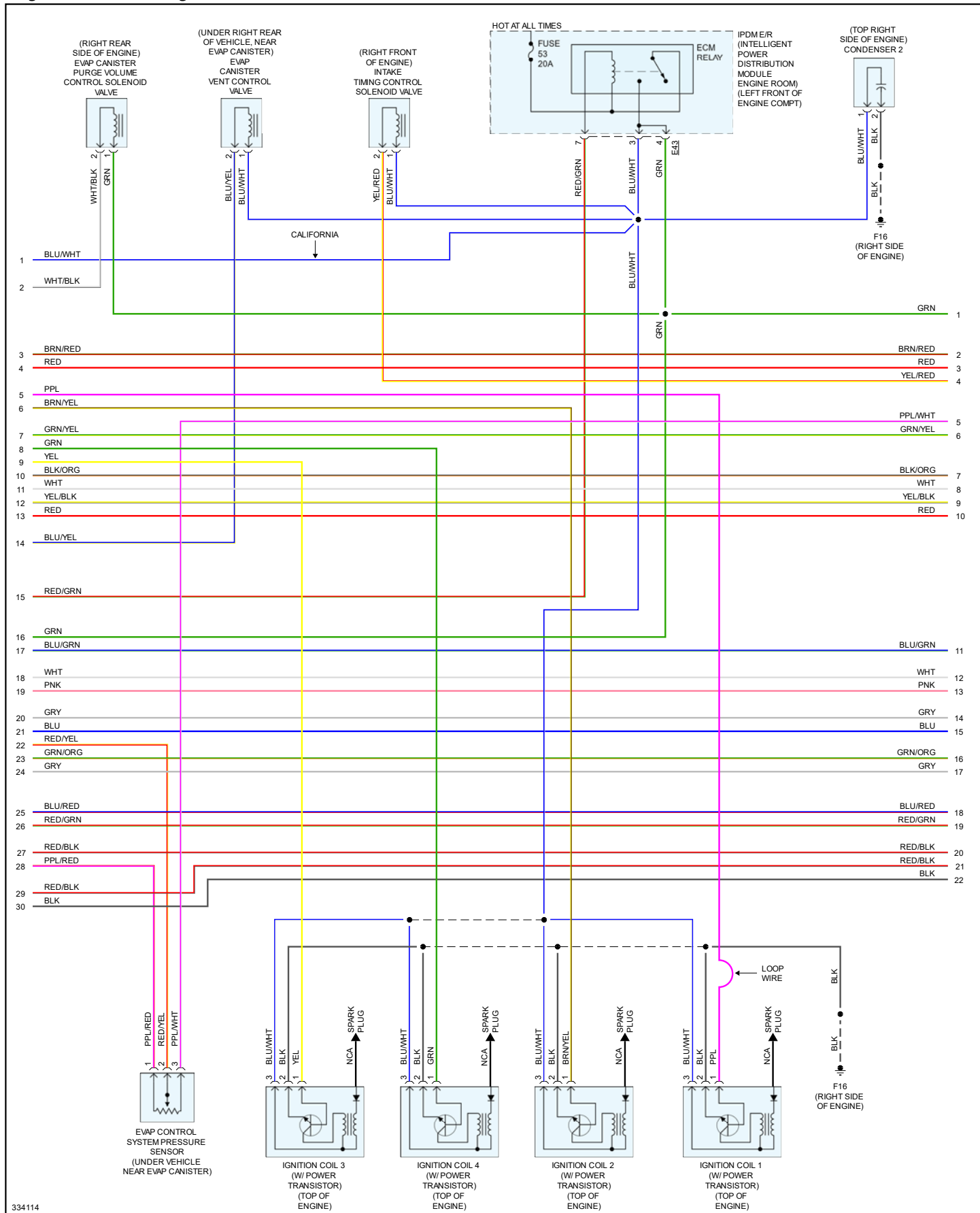


334113

### 2010 Nissan-Datsun Sentra L4-2.0L (MR20DE)

### Vehicle > Powertrain Management > Diagrams > Electrical - Interactive Color (Non OE)

### Engine Controls - Page 2 of 5

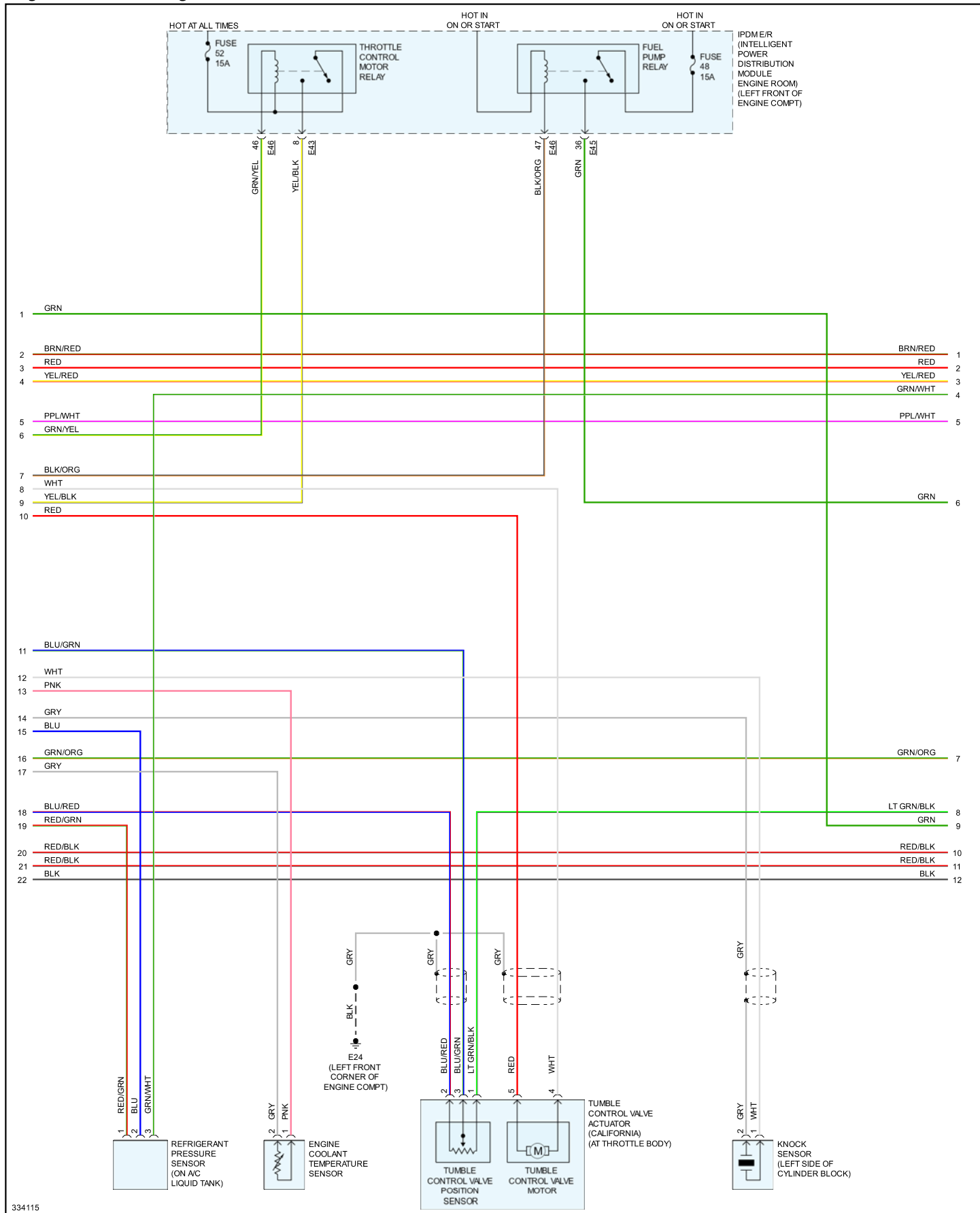


334114

### 2010 Nissan-Datsun Sentra L4-2.0L (MR20DE)

### Vehicle > Powertrain Management > Diagrams > Electrical - Interactive Color (Non OE)

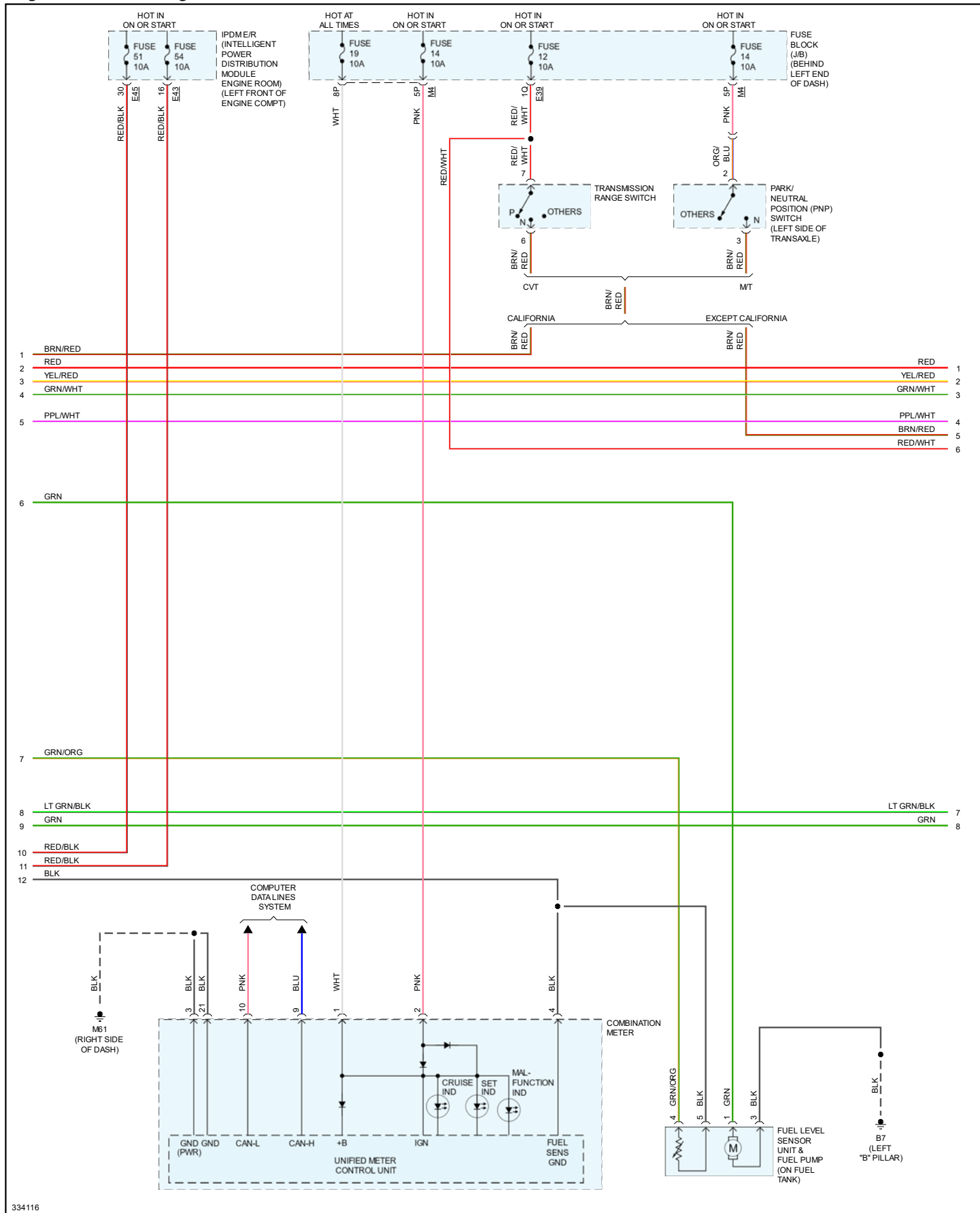
### Engine Controls - Page 3 of 5



### 2010 Nissan-Datsun Sentra L4-2.0L (MR20DE)

### Vehicle > Powertrain Management > Diagrams > Electrical - Interactive Color (Non OE)

### Engine Controls - Page 4 of 5



334116

### 2010 Nissan-Datsun Sentra L4-2.0L (MR20DE)

### Vehicle > Powertrain Management > Diagrams > Electrical - Interactive Color (Non OE)

### Engine Controls - Page 5 of 5

