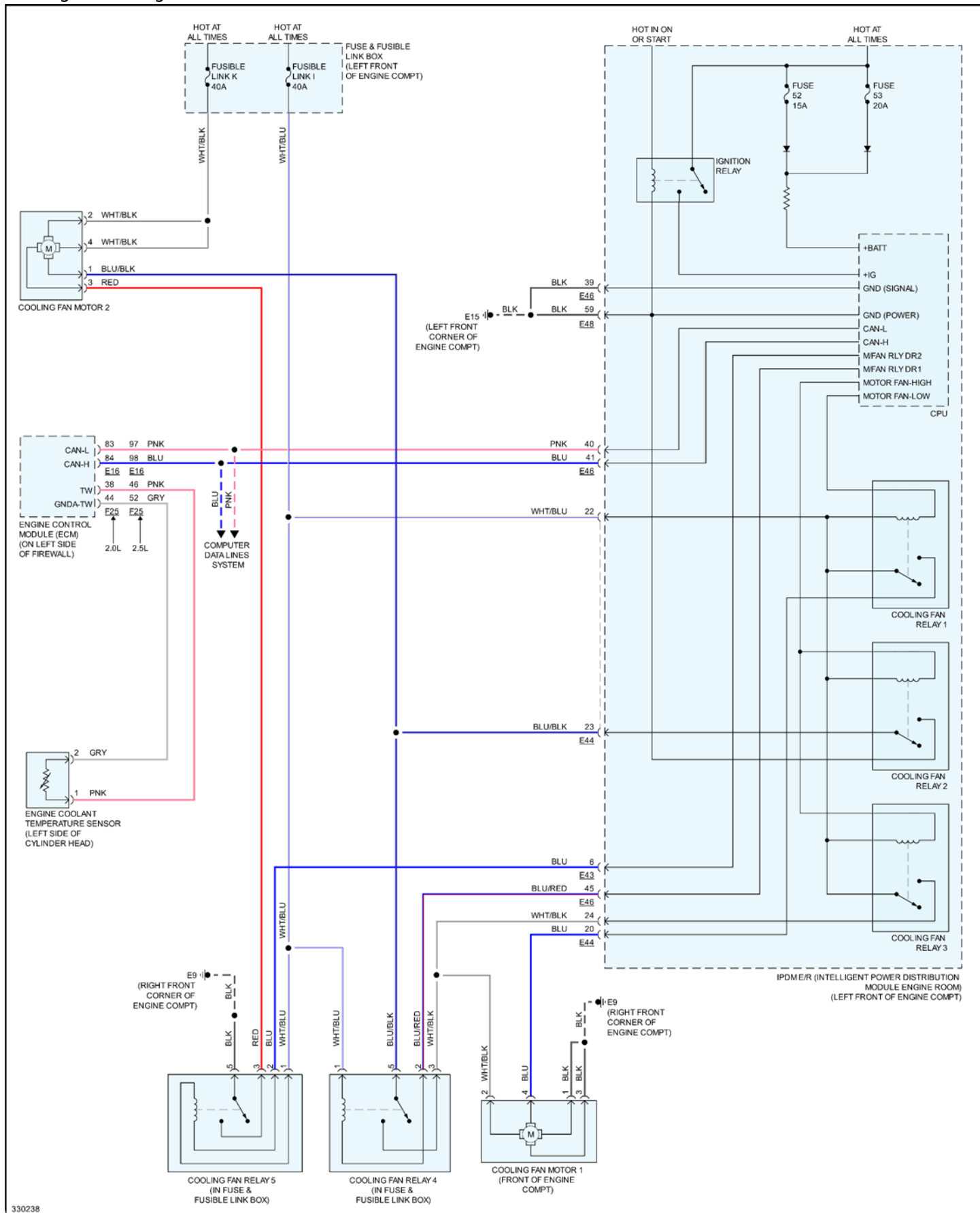


2010 Nissan-Datsun Sentra L4-2.0L (MR20DE)

Vehicle > Engine, Cooling and Exhaust > Cooling System > Radiator Cooling Fan > Diagrams > Electrical - Interactive Cooling Fans - Page 1 of 1



330238