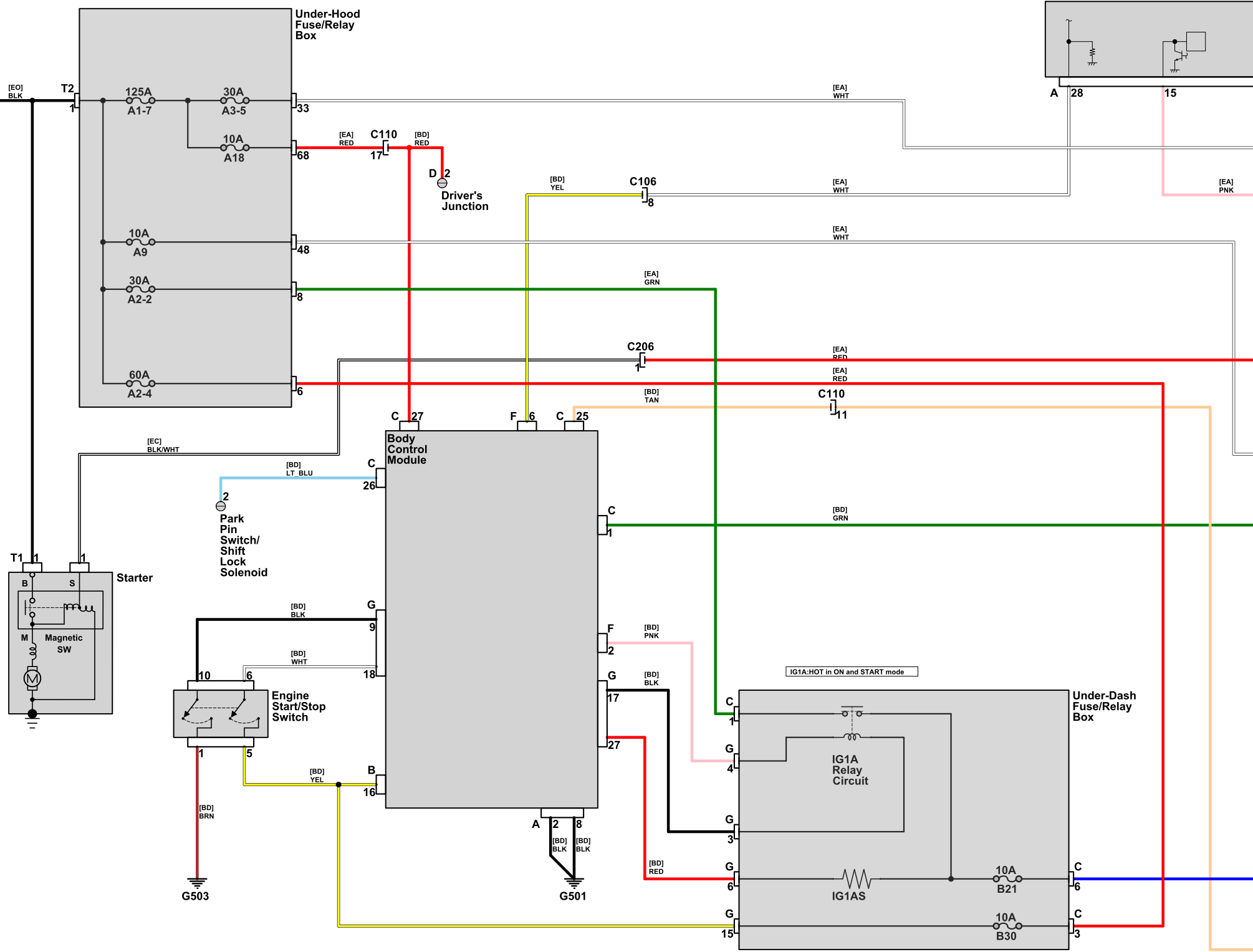




12 Volt Battery



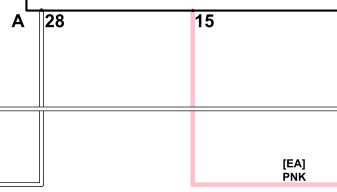
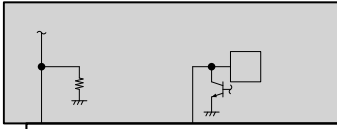
**Under-Hood Fuse/Relay Box**  
Fuses: 125A A1-7, 30A A3-5, 10A A9, 30A A2-2, 60A A2-4  
Terminals: 33, 68, 48, 8, 6

**Body Control Module**  
Terminals: C 27, F 6, C 25, C, G 9, 18, B 16, A 2, 8, 26, C, F 2, G 17, 27

**Starter**  
Terminals: T1 1, B, S, M  
Component: Magnetic SW

**Engine Start/Stop Switch**  
Terminals: 10, 6, 5, 1, 2

**Under-Dash Fuse/Relay Box**  
IG1A Relay Circuit  
IG1AS  
Fuses: 10A B21, 10A B30  
Terminals: C 1, G 4, G 3, G 6, C 6, C 3, 15



IG1A: HOT in ON and START mode

G503

G501

