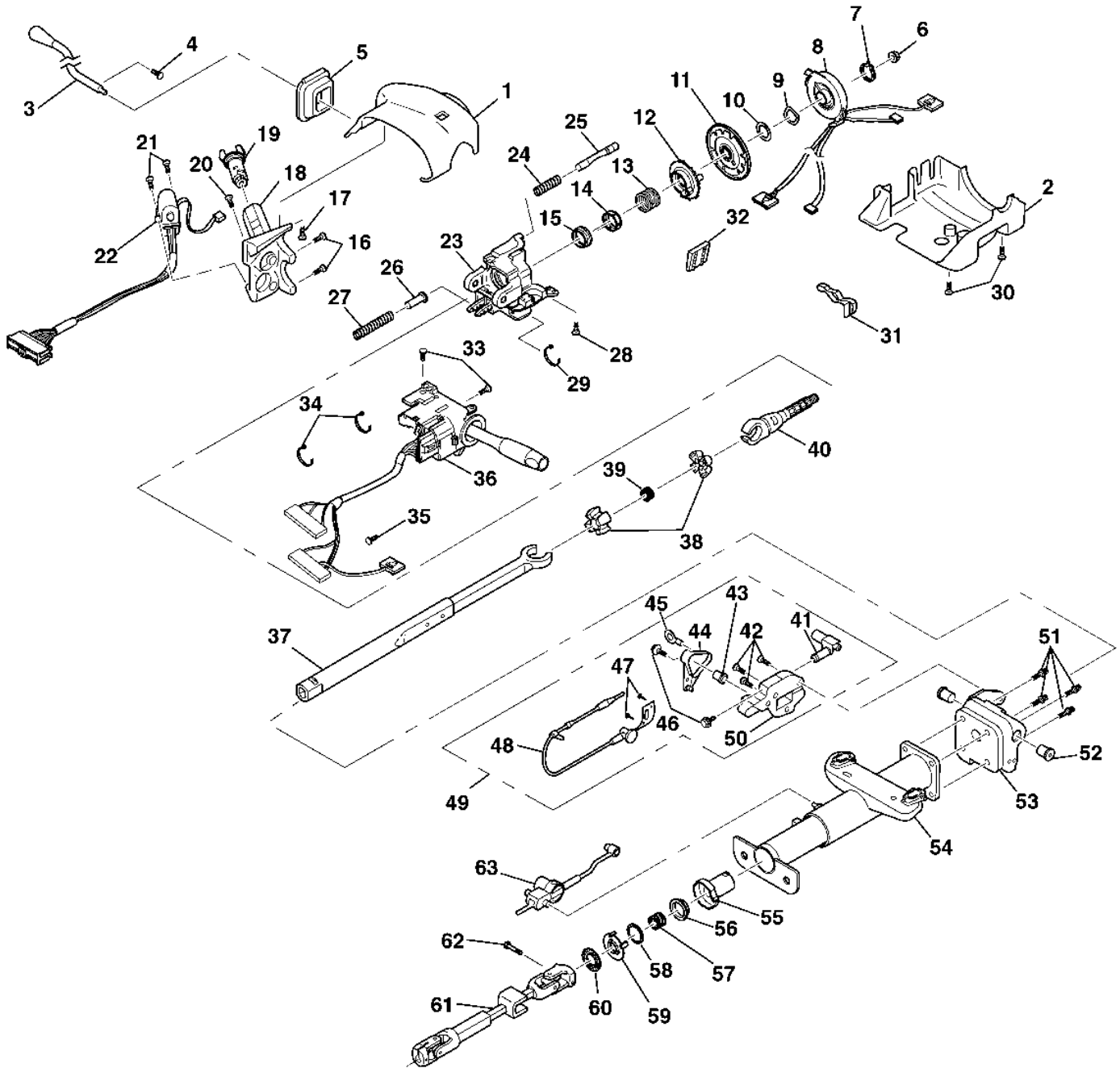


Steering Column Disassembled View (Column Shift)

Column Shift Steering Column



- (1) Upper Shroud
- (2) Lower Shroud
- (3) Automatic Transmission Control Lever Assembly
- (4) Shift Lever Screw
- (5) Shift Lever Seal
- (6) Flanged Prevailing Torque Nut
- (7) Retaining Ring
- (8) SIR Coil Assembly
- (9) Wave Washer
- (10) Bearing Retainer

- (11) Shaft Lock Shield Assembly
- (12) Turn Signal Cancel Cam Assembly
- (13) Upper Bearing Spring
- (14) Upper Bearing Inner Race Seat
- (15) Inner Race
- (16) Shaft Lock Shield Assembly
- (17) TORX® Head Screw
- (18) Lock Module Assembly
- (19) [Steering Column Lock Cylinder Set](#)
- (20) Pan Head Tapping Screw
- (21) Tapping Screw
- (22) Ignition and [Key Alarm Switch Assembly](#)
- (23) Steering Column Tilt Head Assembly
- (24) Lock Bolt Spring
- (25) Lock Bolt Assembly
- (26) Spring Guide
- (27) Tilt Spring
- (28) TORX® Head Screw
- (29) Wire Harness Strap
- (30) Pan Head Tapping Screw
- (31) Tilt Lever Assembly
- (32) Shroud Protector
- (33) Pan Head Tapping Screw
- (34) Wire Harness Strap
- (35) Axial Position Assur Connector
- (36) Turn Signal and Multifunction Switch Assembly
- (37) Lower Steering Shaft Assembly
- (38) Centering Sphere
- (39) Joint Preload Spring
- (40) Race and Upper Shaft Assembly
- (41) Shift Lever Clevis
- (42) Flathead 6-Lobed Soc Tap Screw
- (43) Cam Bushing
- (44) Cable Shift Cam Assembly
- (45) Ball and Actuator Assembly
- (46) Hex Flange Head Bolt
- (47) Oval Head 6-Lobed Soc Tap Screw
- (48) Park Lock Cable Assembly
- (49) Linear Shift Assembly
- (50) Gear Shift Lever Assembly Support Bracket
- (51) TORX® Head Screw
- (52) Pivot Pin
- (53) Steering Column Support Assembly
- (54) Steering Column Jacket Assembly
- (55) Adapter and Bearing Assembly
- (56) Lower Bearing Seat
- (57) Lower Bearing Spring
- (58) Lower Spring Retainer

- (59) Sensor Retainer
 - (60) Steering Shaft Seal
 - (61) Inter Steering Shaft Assembly
 - (62) Pinch Bolt
 - (63) Electrical (BTSI) Actuator
-

"Portions of materials contained herein have been reprinted with permission of General Motors Corporation, Service and Parts Operations" License Agreement #0410810.

Copyright 2007 - 2012 Service Repair Solutions, Inc.