

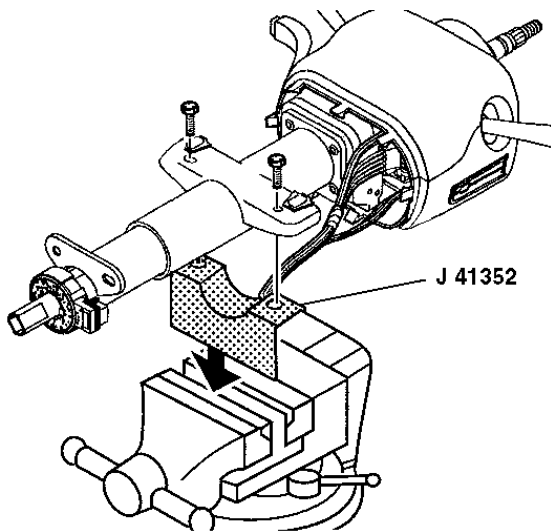
# Steering Column Trim Covers - Disassemble - Off Vehicle (Floor Shift Column)

## Disassembly Procedure

### Tools Required

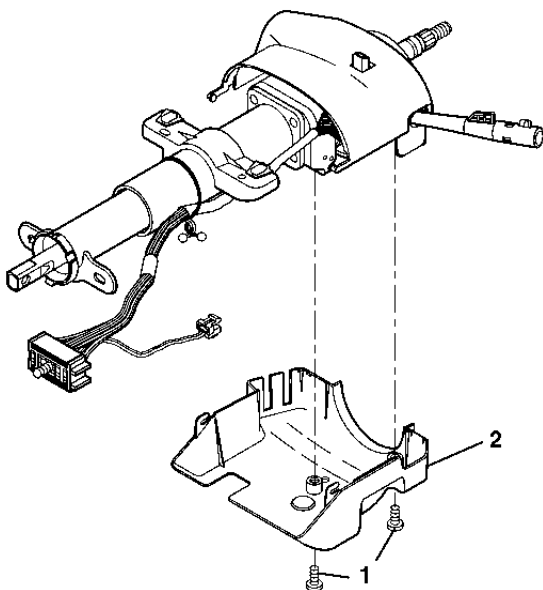
- [J 41352](#) Modular Column Holding Fixture
- [J 42640](#) Steering Column Anti Rotation Pin

1. Remove the tilt lever. Refer to [Tilt Lever Replacement - On Vehicle](#).

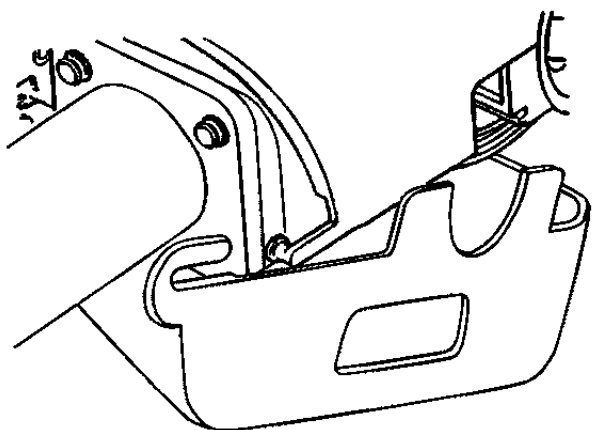


**Important:** Place the steering column in the center position.

2. Put the steering column and [J 41352](#) into a vise.
3. Insert [J 42640](#) into the lower shroud of the steering column.
4. Inspect the steering column for accident damage. Refer to [Steering Column Accident Damage Inspection - Off Vehicle](#).



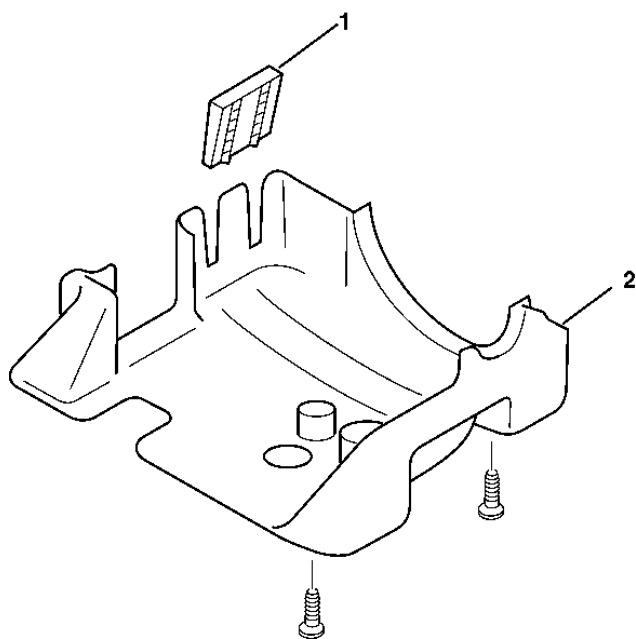
5. Remove the 2 pan head tapping screws (1) from the lower shroud (2).



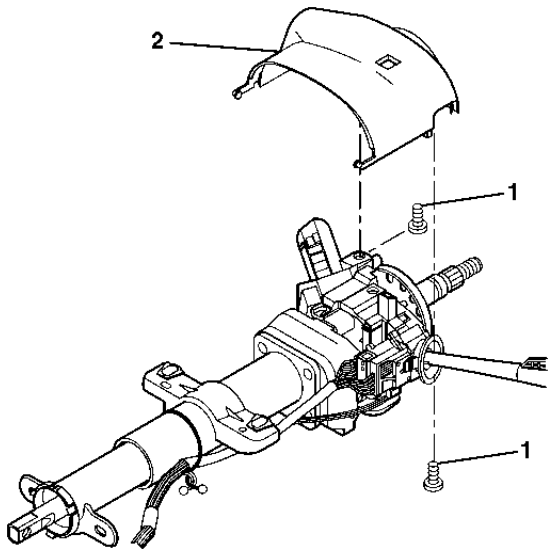
6. Remove the lower shroud from the upper shroud.

7. Tilt the lower shroud down.

8. Slide the lower shroud backward in order to disengage the locking tabs.



9. Remove the shroud protector (1) from the lower shroud (2).



10. Remove the 2 torx head screws (1) from the upper shroud (2).
11. Remove the upper shroud (2) from the steering column.

---

"Portions of materials contained herein have been reprinted with permission of General Motors Corporation, Service and Parts Operations" License Agreement #0410810.

Copyright 2007 - 2012 Service Repair Solutions, Inc.