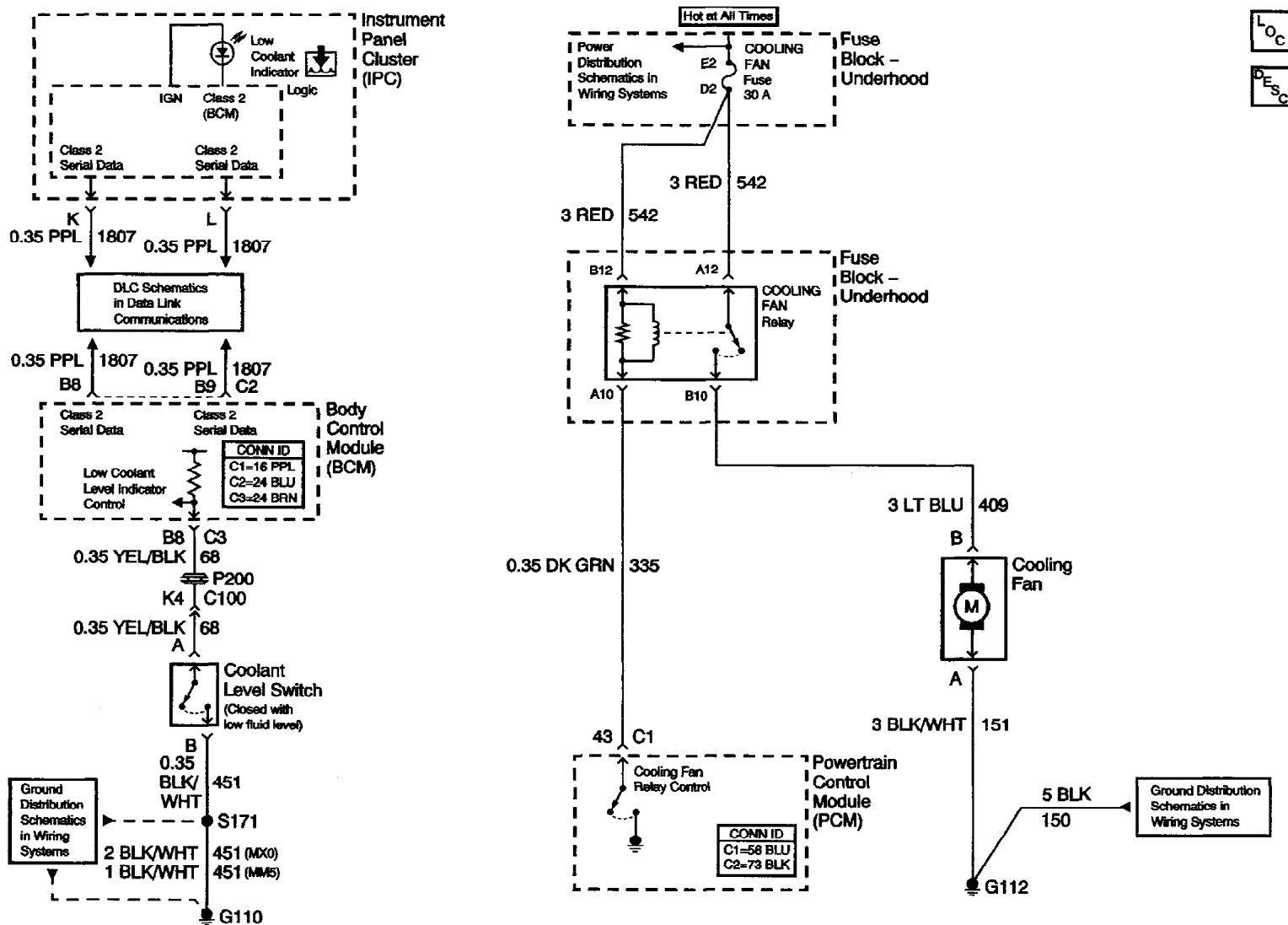


ENGINE COOLING SYSTEM

Fig. 1: Engine Cooling Schematics
 Courtesy of GENERAL MOTORS CORP.
 2003 Chevrolet Cavalier



G01580858

LOC
DESC