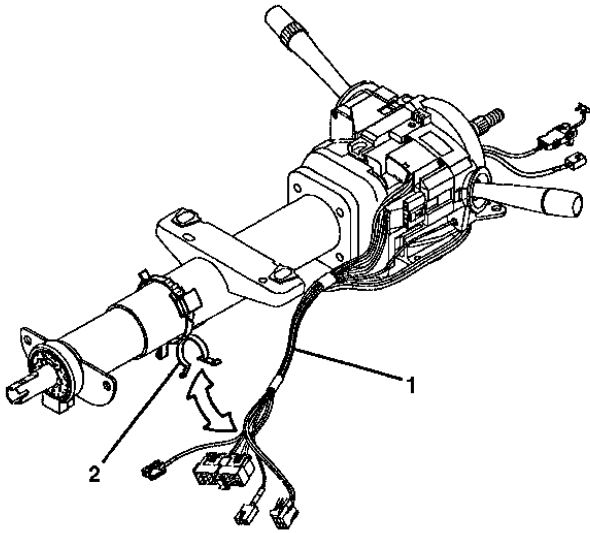


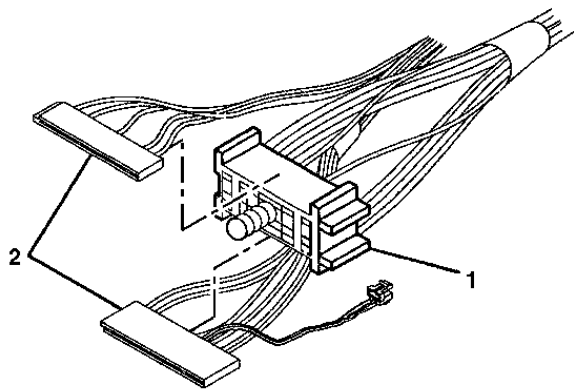
# Ignition and Key Alarm Switch Assembly - Disassemble - Off Vehicle (Column Shift Column)

## Disassembly Procedure

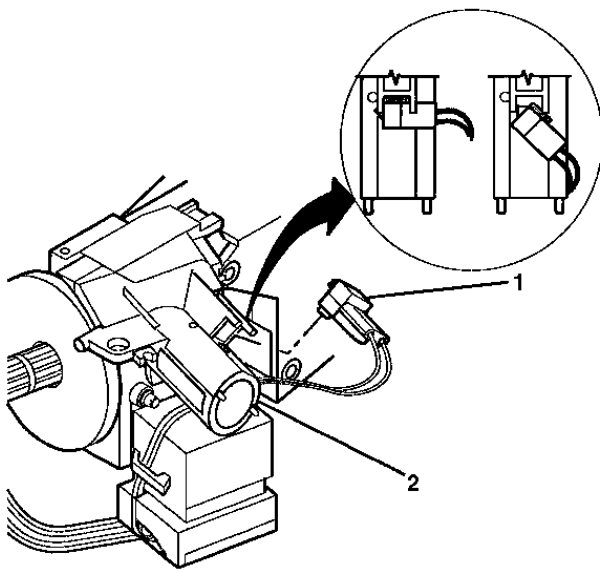
1. Remove the upper and lower shrouds. Refer to [Steering Column Trim Covers - Disassemble - Off Vehicle \(Floor Shift Column\)](#)[Steering Column Trim Covers - Disassemble - Off Vehicle \(Column Shift Column\)](#).



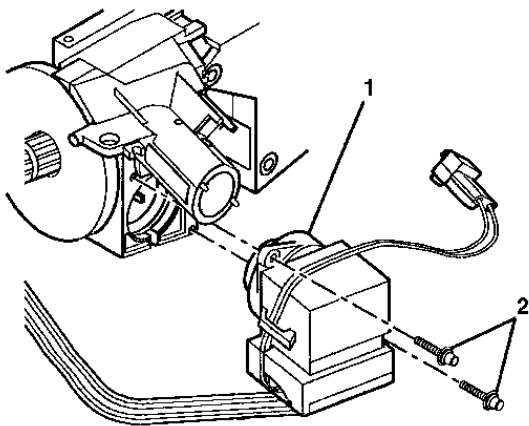
2. Remove the wire harness straps (2) from the steering column and the wire harness assembly (1).



3. Slide the 2 connectors (2) of the turn signal and multifunction switch assembly out of the bulkhead connector (1).



4. Remove the **key** alarm connector (1) from the lock module assembly (2).
  - 1.1. Rotate the **key** alarm connector (1) 90 degrees.
  - 1.2. Pull the **key** alarm connector (1) out of the lock module assembly (2).



5. Remove the 2 tapping screws (2) from the ignition and **key** alarm switch assembly (1).
6. Remove the ignition and **key** alarm switch assembly (1) from the lock module assembly.

---

"Portions of materials contained herein have been reprinted with permission of General Motors Corporation, Service and Parts Operations" License Agreement #0410810.