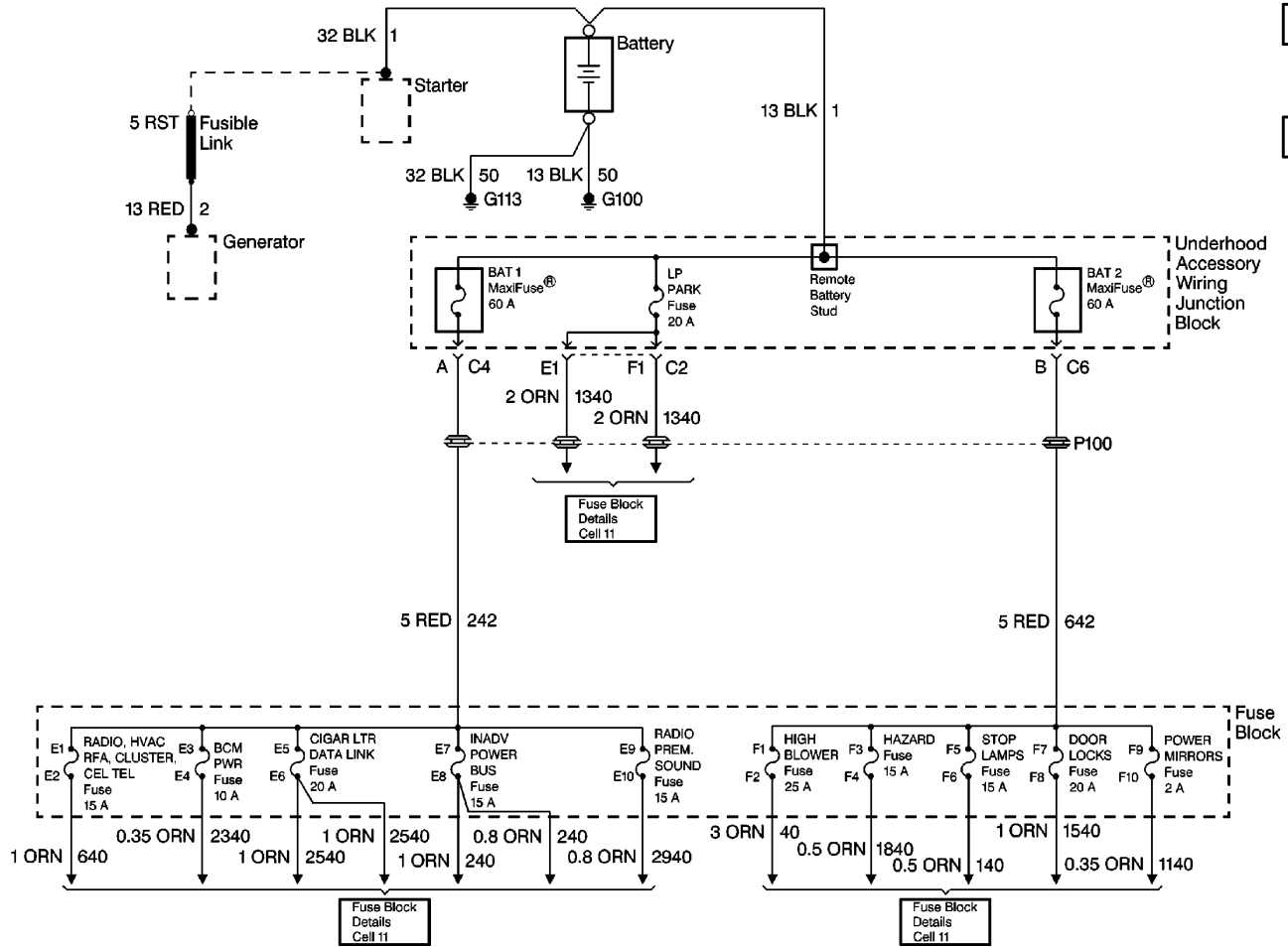


CELL 10: BATTERY, AND GENERAT...

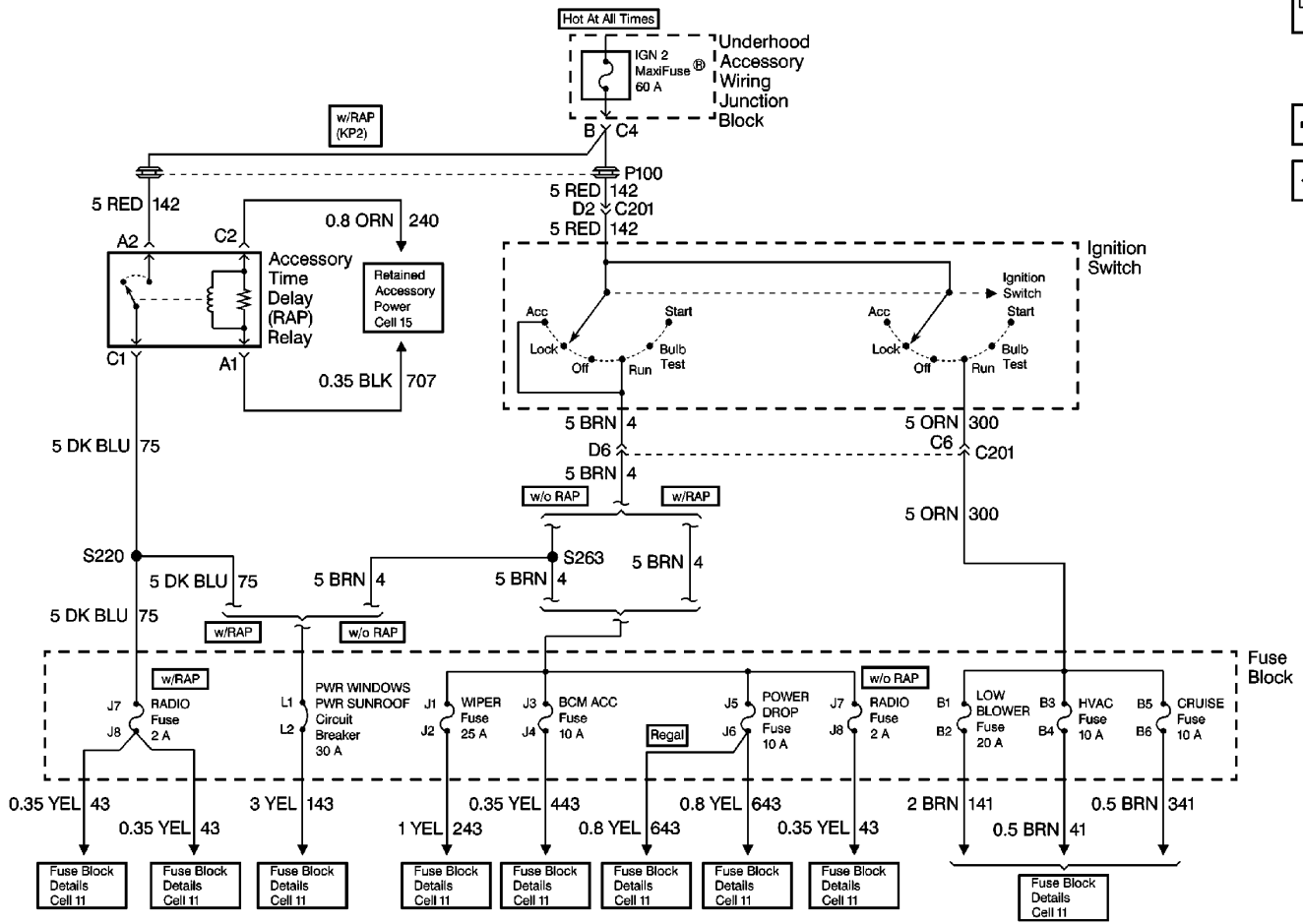
CELL 10: BATTERY, AND GENERATOR (WIRING SYSTEMS)

Document ID# 474211

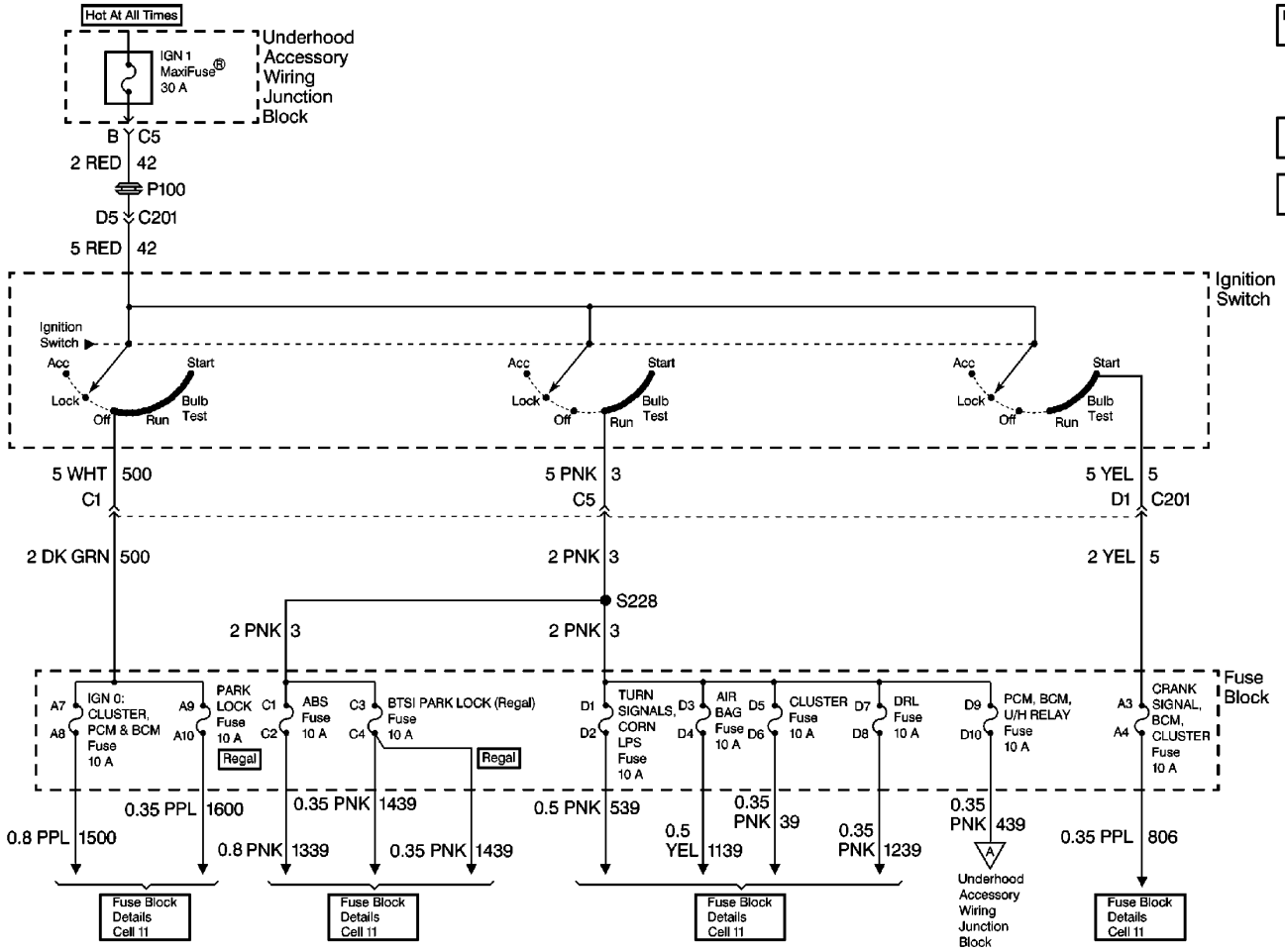
Cell 10: Battery, and Generator



Cell 10: Accessory Time Delay Relay, and Ignition Switch

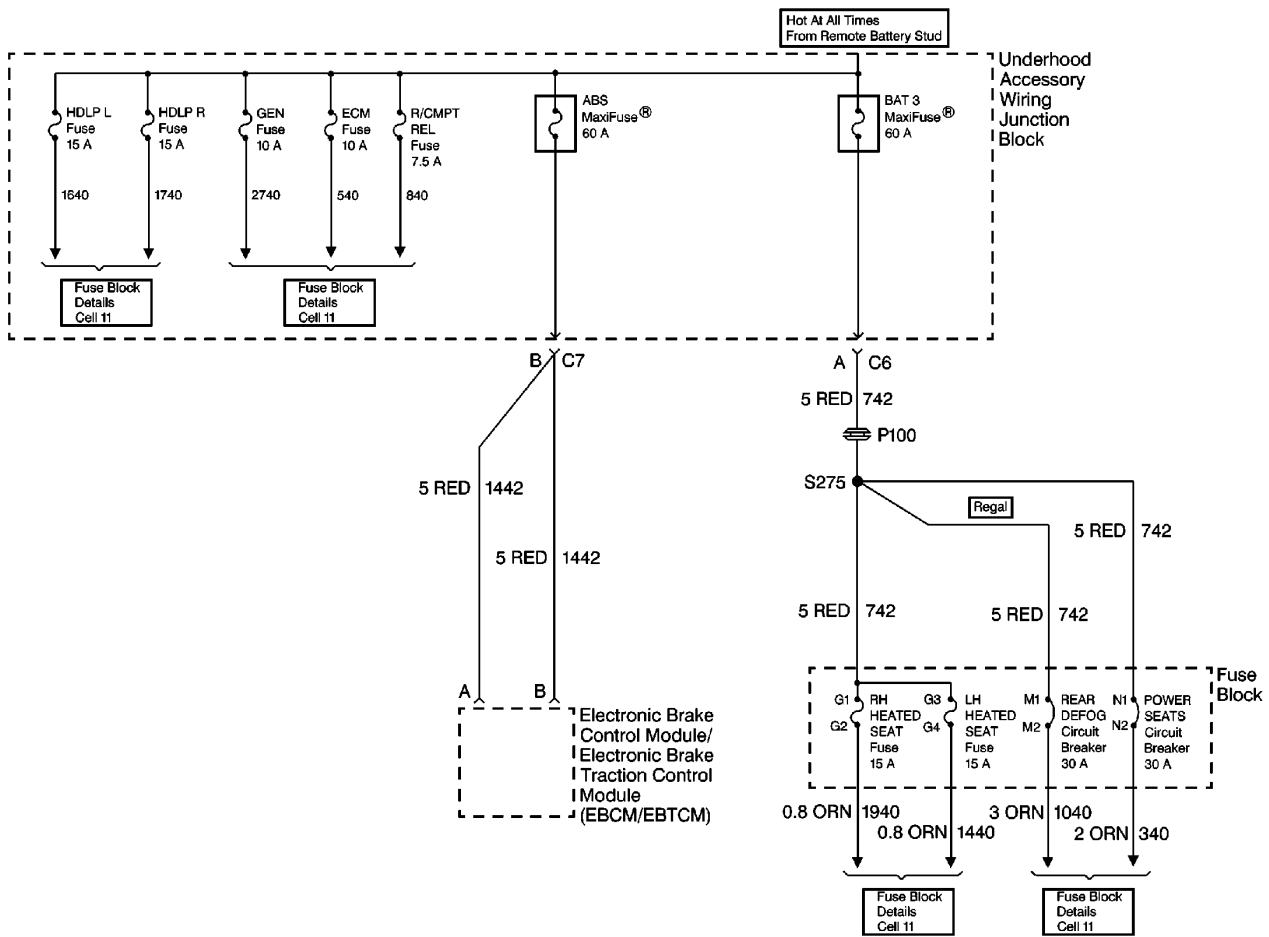


Cell 10: Ignition Switch

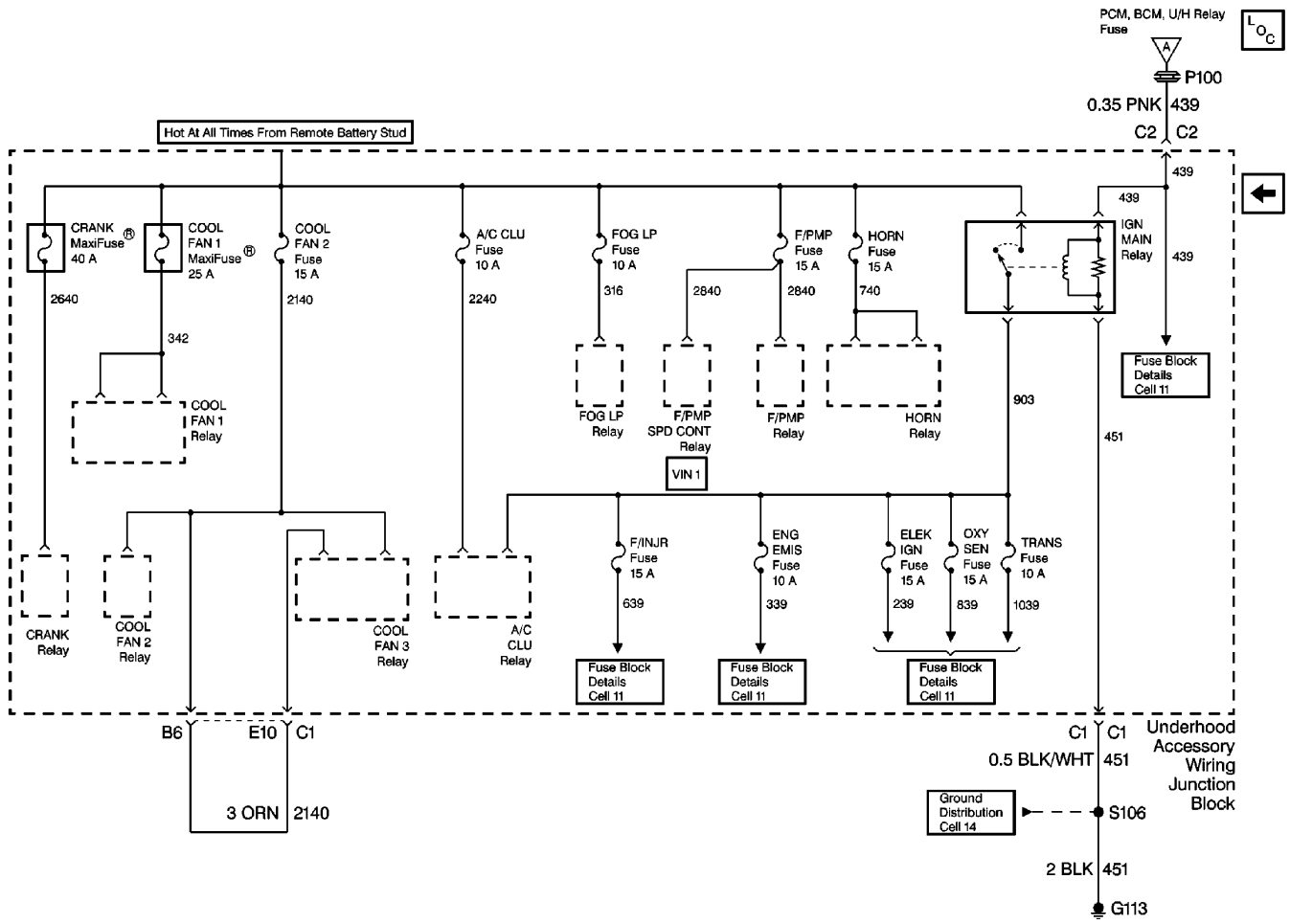


Cell 10: EBCM/EBTCM

LOC



Cell 10: Underhood Accessory Wiring Junction Block



"Portions of materials contained herein have been reprinted with permission of General Motors Corporation, Service and Parts Operations" License Agreement #0410810.

Copyright 2007 - 2012 Service Repair Solutions, Inc.