

8-46 CAB AND CHASSIS ELECTRICAL

CIRCUIT DIAGRAM-FOR 1997 MODEL

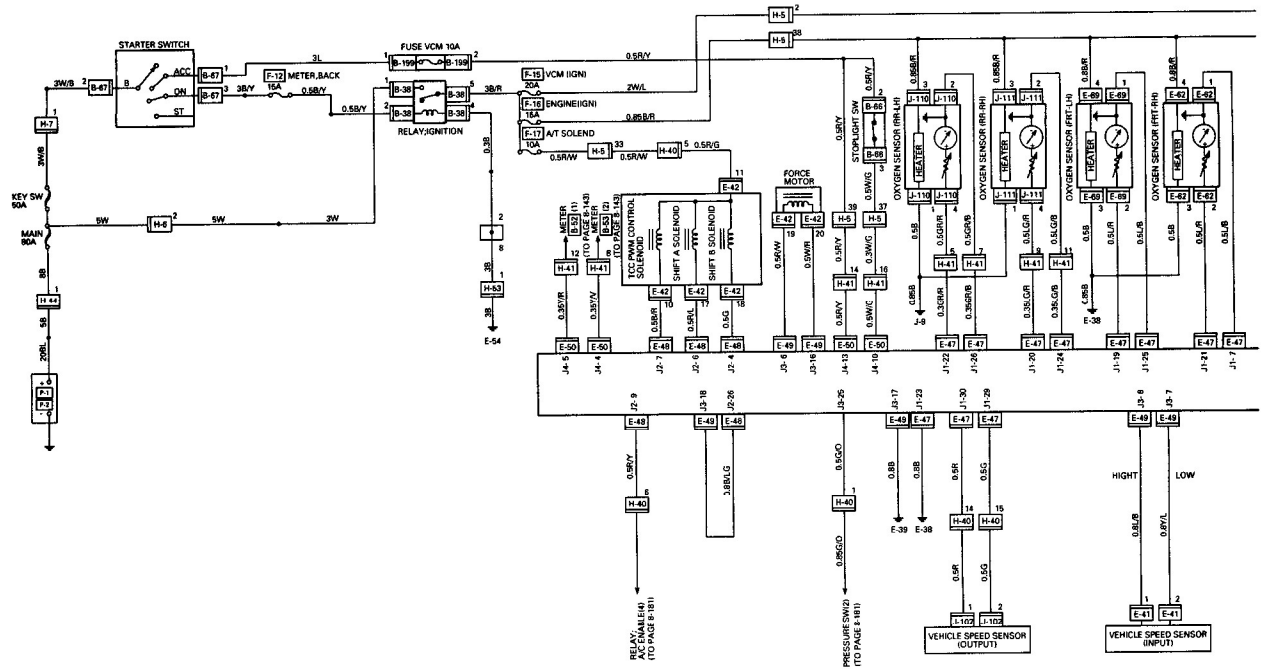


Figure 64c. Circuit Diagram

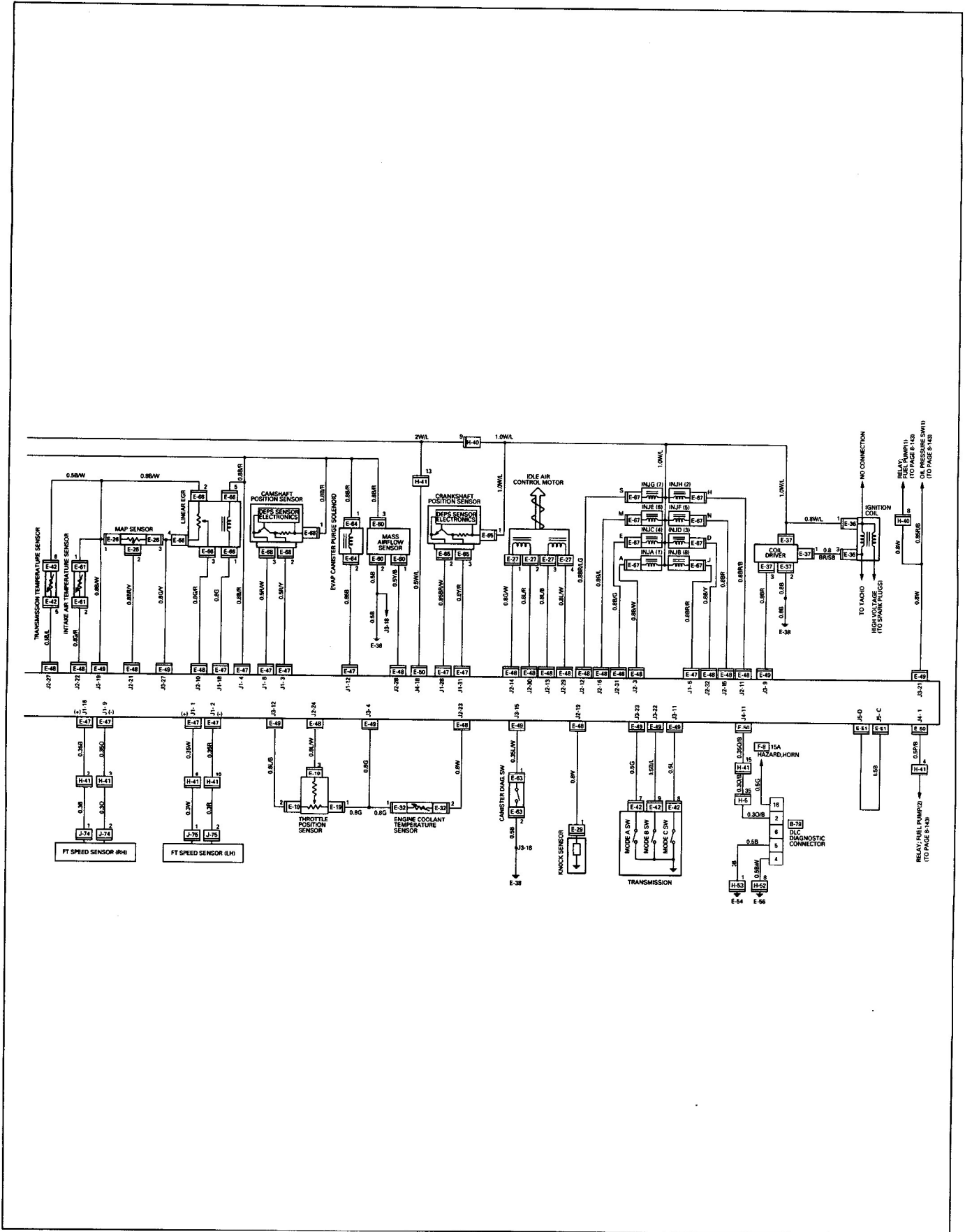


Figure 64d. Circuit Diagram