

**Fig. 22: 3.5L, Engine Performance Circuit (1 of 4)**

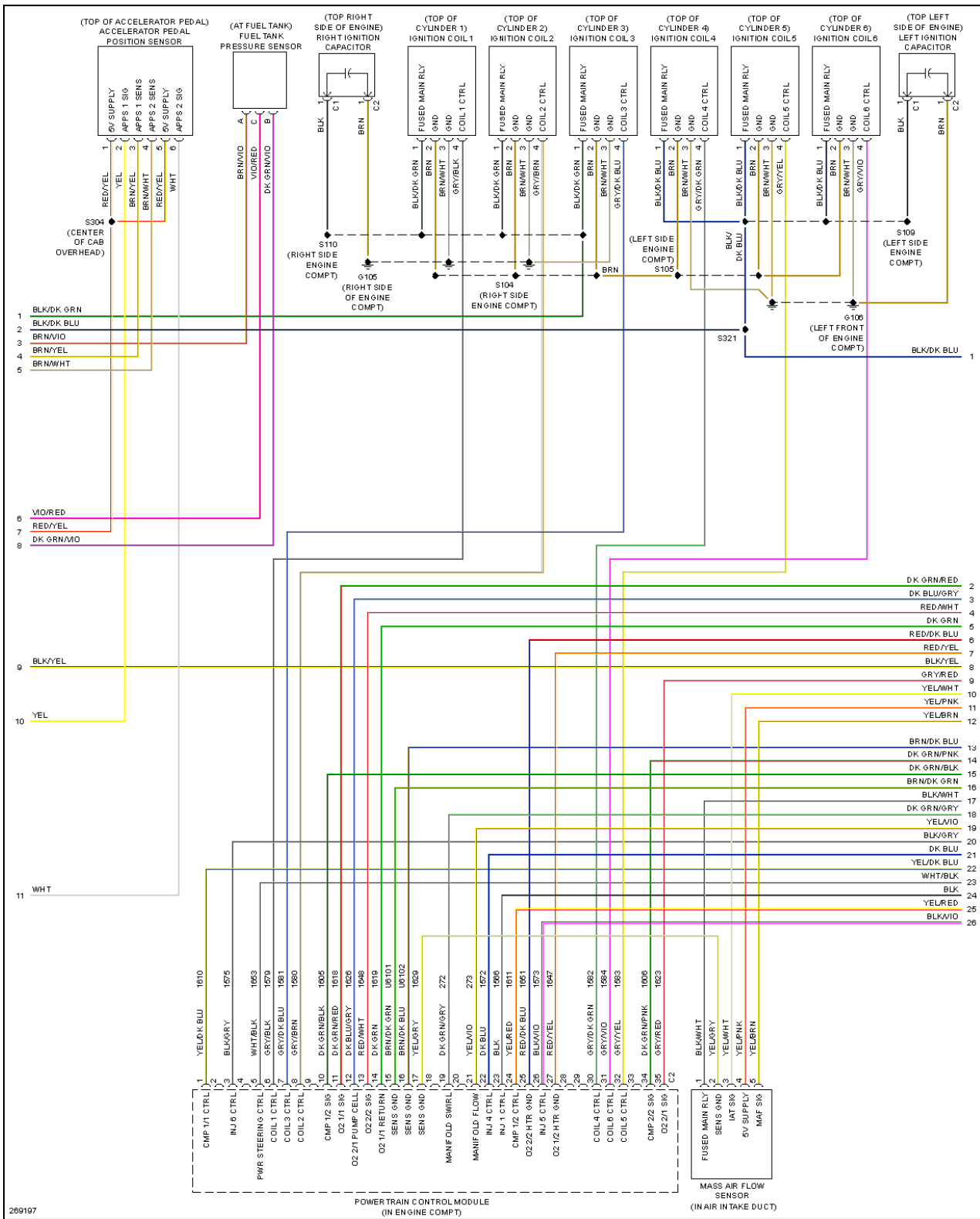


Fig. 23: 3.5L, Engine Performance Circuit (2 of 4)

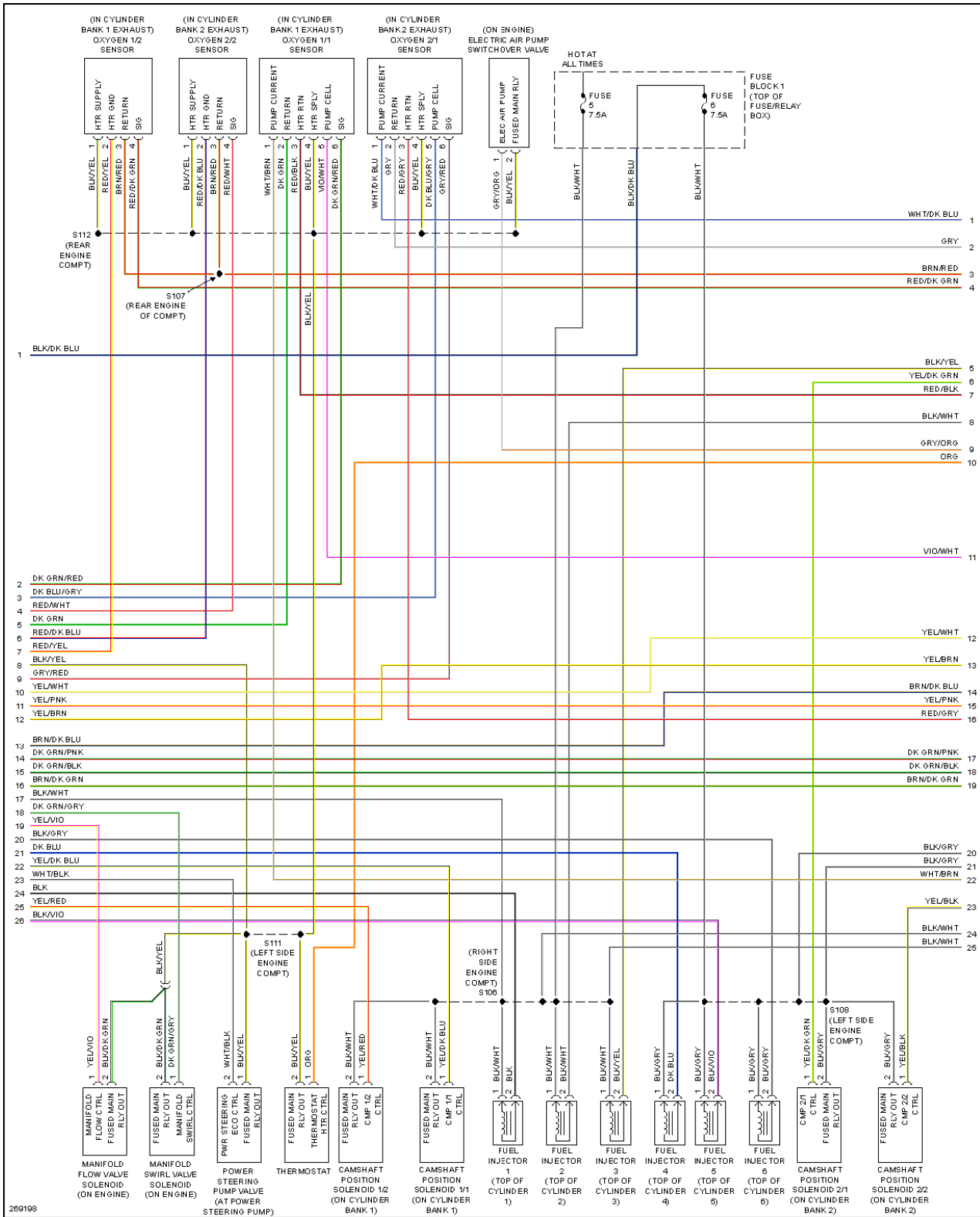


Fig. 24: 3.5L, Engine Performance Circuit (3 of 4)

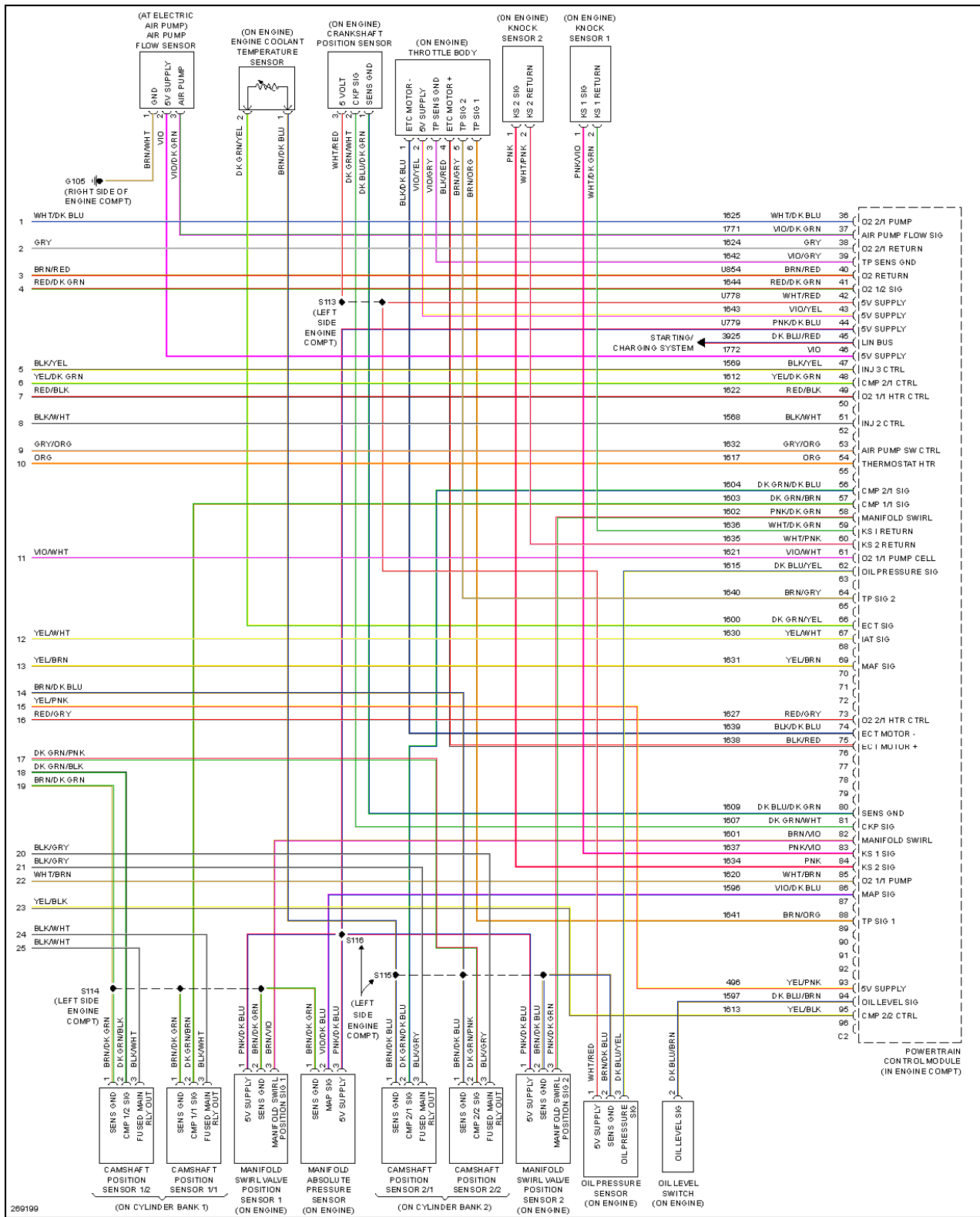


Fig. 25: 3.5L, Engine Performance Circuit (4 of 4)